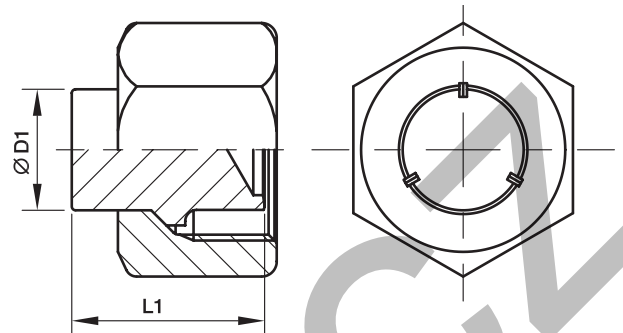


## BUZM Blanking plug with nut for cones



Series	D1 	L1	Weight g/1 piece	Order code*	PN (bar) <sup>1)</sup>	
					CF	71
L <sup>3)</sup>	06	19.5	15	<b>BUZM06L</b>	315	315
	08	19.5	23	<b>BUZM08L</b>	315	315
	10	21.0	31	<b>BUZM10L</b>	315	315
	12	21.8	45	<b>BUZM12L</b>	315	315
	15	22.0	71	<b>BUZM15L</b>	315	315
	18	24.0	107	<b>BUZM18L</b>	315	315
	22	26.0	156	<b>BUZM22L</b>	160	160
	28	26.5	206	<b>BUZM28L</b>	160	160
	35	32.0	354	<b>BUZM35L</b>	160	160
	42	32.5	524	<b>BUZM42L</b>	160	160
S <sup>4)</sup>	06	19.5	23	<b>BUZM06S</b>	630	630
	08	19.5	28	<b>BUZM08S</b>	630	630
	10	21.0	44	<b>BUZM10S</b>	630	630
	12	21.8	54	<b>BUZM12S</b>	630	630
	16	25.5	105	<b>BUZM16S</b>	400	400
	20	30.5	176	<b>BUZM20S</b>	400	400
	25	32.5	321	<b>BUZM25S</b>	400	400
	30	35.5	399	<b>BUZM30S</b>	400	400
	38	40.0	664	<b>BUZM38S</b>	315	315

<sup>1)</sup> Pressure shown = item deliverable

<sup>3)</sup> L = light series; <sup>4)</sup> S = heavy series

$$\frac{\text{PN (bar)}}{10} = \text{PN (MPa)}$$

Order code suffixes		
Material	Suffix surface and material	Example
Steel, zinc plated, Cr(VI)-free	CF	BUZM16SCF
Stainless Steel	71	BUZM16S71

\*Please add the **suffixes** below according to the material/surface required.