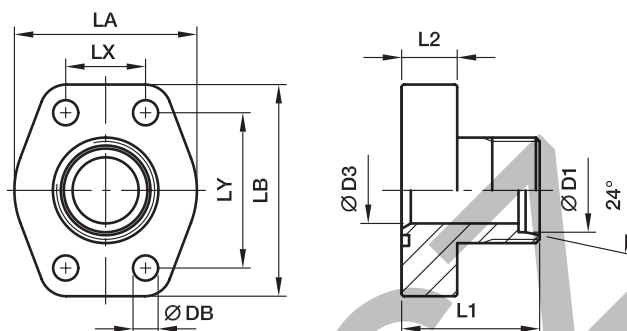


PFF-..S/L SAE Straight 4 bolt flange with EO 24° cone end

 SAE Flange / EO 24° cone end
 (ISO 6162-1/-2)

3000 PSI Series

Nom. flange size	D1 ²⁾	D3	L1	L2	LA	LB	LX	LY	DB	Bolts		Weight (steel) kg/piece	Order code*	PN (bar) ¹⁾		
										(metr.)	(unc.)			CF	SS	
1/2	13	12S	8	47	16	42	57	17.5	38.1	8.9	M 08x30	5/16x1 1/4	0.27	PFF32/12S	348	348
1/2	13	15L	11	47	16	42	57	17.5	38.1	8.9	M 08x30	5/16x1 1/4	0.27	PFF32/15L	348	315
1/2	13	16S	12	47	16	42	57	17.5	38.1	8.9	M 08x30	5/16x1 1/4	0.27	PFF32/16S	348	348
3/4	19	16S	12	52	18	50	66	22.3	47.6	10.6	M 10x35	3/8x1 1/2	0.42	PFF33/16S	348	348
3/4	19	20S	16	52	18	50	66	22.3	47.6	10.6	M 10x35	3/8x1 1/2	0.45	PFF33/20S	348	348
3/4	19	22L	18	52	18	50	66	22.3	47.6	10.6	M 10x35	3/8x1 1/2	0.44	PFF33/22L	250	160
1	25	20S	16	55	18	55	71	26.2	52.4	10.6	M 10x35	3/8x1 1/2	0.54	PFF34/20S	348	348
1	25	25S	20	55	18	55	71	26.2	52.4	10.6	M 10x35	3/8x1 1/2	0.55	PFF34/25S	348	348
1	25	28L	23	55	18	55	71	26.2	52.4	10.6	M 10x35	3/8x1 1/2	0.53	PFF34/28L	250	160
1 1/4	32	25S	20	60	21	66	80	30.2	58.7	10.6***	M 10x40	7/16x1 1/2	0.83	PFF35/25S	278	278
1 1/4	32	30S	25	60	21	66	80	30.2	58.7	10.6***	M 10x40	7/16x1 1/2	0.85	PFF35/30S	278	278
1 1/4	32	35L	30	60	21	66	80	30.2	58.7	10.6***	M 10x40	7/16x1 1/2	0.79	PFF35/35L	278	278
1 1/2	38	35L	30	70	25	77	94	35.7	69.9	13.3	M 12x45	1/2x1 3/4	1.25	PFF36/35L	210	210
1 1/2	38	38S	32	70	25	77	94	35.7	69.9	13.3	M 12x45	1/2x1 3/4	1.30	PFF36/38S	210	210
1 1/2	38	42L	36	70	25	77	94	35.7	69.9	13.3	M 12x45	1/2x1 3/4	1.21	PFF36/42L	210	210
2	51	38S	32	72	25	90	103	42.9	77.8	13.3	M 12x45	1/2x1 3/4	1.80	PFF38/38S	210	210
2	51	42L	36	72	25	90	103	42.9	77.8	13.3	M 12x45	1/2x1 3/4	1.60	PFF38/42L	210	210

6000 PSI Series

1/2	13	12S	8	47	16	47	57	18.2	40.5	8.9	M 08x30	5/16x1 1/4	0.27	PFF62/12S	420	420
1/2	13	14S	10	47	16	47	57	18.2	40.5	8.9	M 08x30	5/16x1 1/4	0.27	PFF62/14S	420	420
1/2	13	16S	12	47	16	47	57	18.2	40.5	8.9	M 08x30	5/16x1 1/4	0.27	PFF62/16S	420	420
3/4	19	16S	12	52	18	53	71	23.8	50.8	10.6	M 10x35	3/8x1 1/2	0.50	PFF63/16S	420	420
3/4	19	20S	16	52	18	53	71	23.8	50.8	10.6	M 10x35	3/8x1 1/2	0.51	PFF63/20S	420	400
3/4	19	22L	18	52	18	53	71	23.8	50.8	10.6	M 10x35	3/8x1 1/2	0.51	PFF63/22L	250	160
1	25	20S	16	60	21	66	80	27.8	57.2	13.3***	M 12x45	7/16x1 1/2	0.80	PFF64/20S	420	400
1	25	25S	20	60	21	66	80	27.8	57.2	13.3***	M 12x45	7/16x1 1/2	0.80	PFF64/25S	420	400
1	25	28L	23	60	21	66	80	27.8	57.2	13.3***	M 12x45	7/16x1 1/2	0.75	PFF64/28L	250	160
1 1/4	32	25S	20	68	24	78	94	31.8	66.6	15.0**	M 14x50	1/2x1 3/4	1.15	PFF65/25S	420	400
1 1/4	32	25S	20	68	24	78	94	31.8	66.6	13.3	M 12x50	-	1.15	PFF65/12/25S	420	400
1 1/4	32	30S	25	68	24	78	94	31.8	66.6	15.0**	M 14x50	1/2x1 3/4	1.18	PFF65/30S	420	400
1 1/4	32	30S	25	68	24	78	94	31.8	66.6	13.3	M 12x50	-	1.18	PFF65/12/30S	420	400
1 1/4	32	35L	30	68	24	78	94	31.8	66.6	15.0**	M 14x50	1/2x1 3/4	1.15	PFF65/35L	250	160
1 1/4	32	35L	30	68	24	78	94	31.8	66.6	13.3	M 12x50	-	1.15	PFF65/12/35L	250	160
1 1/4	32	38S	32	68	24	78	94	31.8	66.6	15.0**	M 14x50	1/2x1 3/4	1.28	PFF65/38S	420	315
1 1/4	32	38S	32	68	24	78	94	31.8	66.6	13.3	M 12x50	-	1.28	PFF65/12/38S	420	315
1 1/2	38	35L	25	72	27	90	106	36.5	79.3	16.7	M 16x55	5/8x2 1/4	1.60	PFF66/35L	250	160
1 1/2	38	38S	32	72	27	90	106	36.5	79.3	16.7	M 16x55	5/8x2 1/4	1.70	PFF66/38S	315	315
1 1/2	38	42L	36	72	27	90	106	36.5	79.3	16.7	M 16x55	5/8x2 1/4	1.60	PFF66/42L	250	160

²⁾ L = light series; S = heavy series

Delivery without nut and ring.

^{**} DB = 13.3 for UNC Bolts

Information on ordering complete fittings

^{***} DB = 12 for UNC Bolts

or alternative sealing materials see page M12.

Stainless steel parts may have dimensional deviations.

¹⁾ Pressure shown = Item deliverable

Additional information on request.

*Please add the suffixes below according to the material/surface required.

$$\frac{\text{PN (bar)}}{10} = \text{PN (MPa)}$$

Order code suffixes					
Material	Suffix surface and material	Example only 4 bolt flange	Example 4 bolt flange incl. metr. bolts and O-ring	Example 4 bolt flange incl. UNC bolts and O-ring	Standard sealing material (no additional suffix needed)
Steel, zinc plated, Cr(VI)-free	CF	PF32/12SCF	PFF32/12SOMDCFM	PFF32/12SOMDCFU	NBR
Stainless steel	SS	PFF32/12S-SS	PFF32/12SOMDSSM	-	VIT