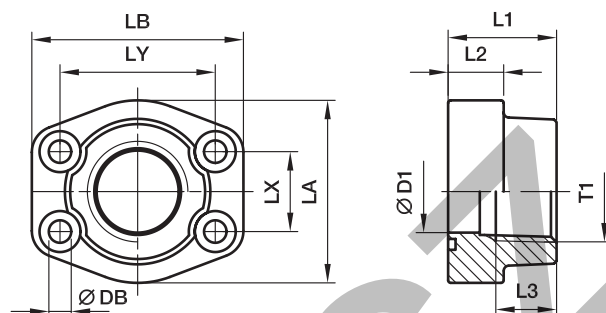


## SAE Full flanges

**PFF-N SAE Straight 4 bolt flange with NPT thread**

 SAE Flange / Female NPT thread  
 (ISO 6162-1/-2) (SAE 476)

**3000 PSI Series**

Nom. flange size		T1	D1	L1	L2	L3	LA	LB	LX	LY	DB	Bolts		Weight (steel) kg/piece	Order code*	PN (bar <sup>1)</sup> )	
SAE (in.)	ISO (DN)											(metr.)	(unc.)			S	SS
1/2	13	<b>3/8 NPT</b>	13	36	16	15	46	58	17.5	38.1	8.9	M 08×30	5/16×1 1/4	0.25	<b>PFF32N38</b>	345	345
1/2	13	<b>1/2 NPT</b>	13	36	16	15	46	58	17.5	38.1	8.9	M 08×30	5/16×1 1/4	0.28	<b>PFF32N</b>	345	345
3/4	19	<b>3/4 NPT</b>	19	36	18	19	49	66	22.3	47.6	10.6	M 10×35	3/8×1 1/2	0.39	<b>PFF33N</b>	345	345
1	25	<b>1 NPT</b>	25	38	18	19	53	71	26.2	52.4	10.6	M 10×35	3/8×1 1/2	0.46	<b>PFF34N</b>	345	345
1 1/4	32	<b>1 1/4 NPT</b>	31	41	21	22	69	80	30.2	58.7	10.6***	M 10×40	7/16×1 1/2	0.66	<b>PFF35N</b>	276	276
1 1/2	38	<b>1 1/2 NPT</b>	38	44	25	24	77	94	35.7	69.9	13.3	M 12×45	1/2×1 3/4	1.05	<b>PFF36N</b>	207	207
2	51	<b>2 NPT</b>	50	45	25	26	89	103	42.9	77.8	13.5	M 12×45	1/2×1 3/4	1.19	<b>PFF38N</b>	207	207
2 1/2	64	<b>2 1/2 NPT</b>	63	50	25	30	101	115	50.8	88.9	13.5	M 12×45	1/2×1 3/4	1.70	<b>PFF310N</b>	172	172
3	76	<b>3 NPT</b>	73	50	27	34	124	135	61.9	106.4	16.7	M 16×55	5/8×2 1/4	2.22	<b>PFF312N</b>	138	138
3 1/2	89	<b>3 1/2 NPT</b>	89	50	27	36	136	152	69.9	120.7	16.7	M 16×55	5/8×2 1/4	2.40	<b>PFF314N</b>	34	34
4	102	<b>4 NPT</b>	99	50	27	36	146	162	77.8	130.2	16.7	M 16×55	5/8×2 1/4	2.71	<b>PFF316N</b>	34	34
5	127	<b>5 NPT</b>	120	50	28	36	180	184	92.1	152.4	16.7	M 16×55	5/8×2 1/4	3.25	<b>PFF320N</b>	34	34

**6000 PSI Series**

1/2	13	<b>3/8 NPT</b>	13	36	16	15	46	58	18.2	40.5	8.9	M 08×30	5/16×1 1/4	0.26	<b>PFF62N38</b>	420	420
1/2	13	<b>1/2 NPT</b>	13	36	16	15	46	58	18.2	40.5	8.9	M 08×30	5/16×1 1/4	0.29	<b>PFF62N</b>	420	420
3/4	19	<b>3/4 NPT</b>	19	36	19	22	53	71	23.8	50.8	10.6	M 10×35	3/8×1 1/2	0.50	<b>PFF63N</b>	420	420
1	25	<b>1 NPT</b>	25	44	24	24	69	80	27.8	57.2	13.3***	M 12×45	7/16×1 1/2	0.76	<b>PFF64N</b>	420	420
1 1/4	32	<b>1 1/4 NPT</b>	31	44	27	25	77	94	31.8	66.6	15.0**	M 14×50	1/2×1 3/4	1.20	<b>PFF65N</b>	420	420
1 1/4	32	<b>1 1/4 NPT</b>	31	44	27	25	77	94	31.8	66.6	13.3	M 12×50	-	1.20	<b>PFF65/12N</b>	420	420
1 1/2	38	<b>1 1/2 NPT</b>	38	51	30	24	89	106	36.5	79.3	16.7	M 16×55	5/8×2 1/4	1.91	<b>PFF66N</b>	420	420
2	51	<b>2 NPT</b>	50	70	37	33	116	135	44.5	96.8	20.6	M 20×70	3/4×2 3/4	3.37	<b>PFF68N</b>	420	420
2 1/2	64	<b>2 1/2 NPT</b>	63	75	45	35	150	166	58.7	123.8	25.0	M 24×90	-	3.05	<b>PFF610N</b>	420	420
3	76	<b>3 NPT</b>	73	90	55	40	178	208	71.4	152.4	31.0	M 30×110	-	3.45	<b>PFF612N</b>	420	420

\*\*DB = 13.3 for UNC Bolts

\*\*\*DB = 12 for UNC Bolts

1) Pressure shown = Item deliverable

$$\frac{\text{PN (bar)}}{10} = \text{PN (MPa)}$$

Stainless steel parts may have dimensional deviations. Additional information on request.

\*Please add the suffixes below according to the material/surface required.

Order code suffixes					
Material	Suffix surface and material	Example only 4 bolt flange	Example 4 bolt flange incl. metr. bolts and O-ring	Example 4 bolt flange incl. UNC bolts and O-ring	Standard sealing material (no additional suffix needed)
Steel, oil dipped	S	PFF32N38S	PFF32N38SM	PFF32N38SU	NBR
Stainless steel	SS	PFF32N38SS	PFF32N38SSM	-	VIT