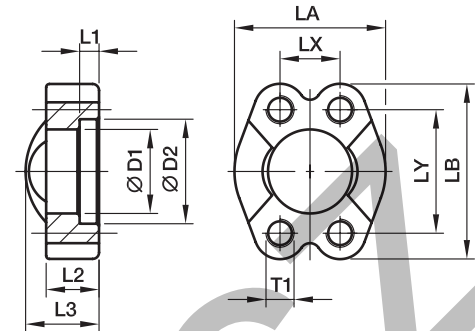


**FUSM SAE Full flanges with metric tapped holes**

ISO 6162-1/-2



**3000 PSI Series**

| Nom. flange size |          | D1    | D2    | L1   | L2 | L3 | LA  | LB    | LX   | LY    | T1  | Weight (steel) kg/piece | Order code* | PN (bar <sup>1)</sup> ) |     |
|------------------|----------|-------|-------|------|----|----|-----|-------|------|-------|-----|-------------------------|-------------|-------------------------|-----|
| SAE (in.)        | ISO (DN) |       |       |      |    |    |     |       |      |       |     |                         |             | CF                      | SS  |
| 1/2              | 13       | 24.3  | 31.0  | 6.2  | 13 | 20 | 46  | 54.0  | 17.5 | 38.1  | M 8 | 0.13                    | FUSM32      | 345                     | 345 |
| 3/4              | 19       | 32.1  | 38.9  | 6.2  | 14 | 22 | 52  | 65.0  | 22.3 | 47.6  | M10 | 0.19                    | FUSM33      | 345                     | 345 |
| 1                | 25       | 38.5  | 45.2  | 7.5  | 16 | 24 | 59  | 69.9  | 26.2 | 52.4  | M10 | 0.23                    | FUSM34      | 345                     | 345 |
| 1 1/4            | 32       | 43.7  | 51.6  | 7.5  | 16 | 22 | 73  | 79.4  | 30.2 | 58.7  | M10 | 0.31                    | FUSM35/10   | 276                     | 276 |
| 1 1/4            | 32       | 43.7  | 51.6  | 7.5  | 16 | 22 | 73  | 79.4  | 30.2 | 58.7  | M12 | 0.30                    | FUSM35/12   | 276                     | 276 |
| 1 1/2            | 38       | 50.8  | 61.1  | 7.5  | 16 | 25 | 83  | 93.8  | 35.7 | 69.9  | M12 | 0.44                    | FUSM36      | 207                     | 207 |
| 1 1/2            | 38       | 50.8  | 61.1  | 7.5  | 16 | 25 | 83  | 93.8  | 35.7 | 69.9  | M14 | 0.47                    | FUSM36/14   | 207                     | 207 |
| 2                | 51       | 62.8  | 72.3  | 9.0  | 16 | 26 | 97  | 101.6 | 42.9 | 77.8  | M12 | 0.56                    | FUSM38/12   | 207                     | 207 |
| 2                | 51       | 62.8  | 72.3  | 9.0  | 16 | 26 | 97  | 101.6 | 42.9 | 77.8  | M14 | 0.54                    | FUSM38      | 207                     | 207 |
| 2 1/2            | 64       | 74.9  | 84.9  | 9.0  | 19 | 38 | 109 | 114.3 | 50.8 | 88.9  | M12 | 0.85                    | FUSM310     | 172                     | 172 |
| 2 1/2            | 64       | 74.9  | 84.9  | 9.0  | 19 | 38 | 109 | 114.3 | 50.8 | 88.9  | M14 | 0.73                    | FUSM310/14  | 172                     | 172 |
| 3                | 76       | 90.9  | 102.4 | 9.0  | 22 | 41 | 131 | 135.0 | 61.9 | 106.4 | M16 | 1.25                    | FUSM312     | 138                     | 138 |
| 3 1/2            | 89       | 102.4 | 115.0 | 10.7 | 23 | 28 | 140 | 152.4 | 69.9 | 120.7 | M16 | 1.66                    | FUSM314     | 34                      | 34  |
| 4                | 102      | 115.1 | 127.8 | 10.7 | 25 | 35 | 150 | 162.0 | 77.8 | 130.2 | M16 | 1.83                    | FUSM316     | 34                      | 34  |
| 5                | 127      | 140.5 | 153.2 | 10.7 | 28 | 41 | 180 | 184.2 | 92.1 | 152.4 | M16 | 2.50                    | FUSM320     | 34                      | 34  |

**6000 PSI Series**

|       |    |       |       |      |    |    |     |       |      |       |     |      |           |     |     |
|-------|----|-------|-------|------|----|----|-----|-------|------|-------|-----|------|-----------|-----|-----|
| 1/2   | 13 | 24.6  | 32.5  | 7.2  | 16 | 22 | 48  | 56.4  | 18.2 | 40.5  | M 8 | 0.18 | FUSM62    | 420 | 420 |
| 3/4   | 19 | 32.5  | 42.0  | 8.2  | 19 | 28 | 60  | 71.4  | 23.8 | 50.8  | M10 | 0.34 | FUSM63    | 420 | 420 |
| 1     | 25 | 38.9  | 48.4  | 9.0  | 24 | 33 | 70  | 81.0  | 27.8 | 57.2  | M12 | 0.55 | FUSM64    | 420 | 420 |
| 1 1/4 | 32 | 44.5  | 54.8  | 9.8  | 27 | 38 | 78  | 95.3  | 31.8 | 66.6  | M14 | 0.87 | FUSM65    | 420 | 420 |
| 1 1/4 | 32 | 44.5  | 54.8  | 9.8  | 27 | 38 | 78  | 95.3  | 31.8 | 66.6  | M12 | 0.87 | FUSM65/12 | 420 | 420 |
| 1 1/2 | 38 | 51.6  | 64.3  | 12.1 | 30 | 43 | 96  | 112.8 | 36.5 | 79.3  | M16 | 1.33 | FUSM66    | 420 | 420 |
| 2     | 51 | 67.6  | 80.2  | 12.1 | 37 | 52 | 114 | 133.4 | 44.5 | 96.8  | M20 | 2.31 | FUSM68    | 420 | 420 |
| 2 1/2 | 64 | 90.0  | 108.9 | 20.5 | 45 | 45 | 150 | 180.0 | 58.7 | 123.8 | M24 | 4.02 | FUSM610   | 420 | 420 |
| 3     | 76 | 115.0 | 132.5 | 25.5 | 55 | 55 | 178 | 215.0 | 71.4 | 152.4 | M30 | 7.05 | FUSM612   | 420 | 420 |

<sup>1)</sup> Pressure shown = Item deliverable

$$\frac{\text{PN (bar)}}{10} = \text{PN (MPa)}$$

\*Please add the **suffixes** below according to the material/surface required.

| Order code suffixes             |                             |  |                   |
|---------------------------------|-----------------------------|--|-------------------|
| Material                        | Suffix surface and material | Example only flange clamp with metr. threads | Description       |
| Steel, zinc plated, Cr(VI)-free | CF                          | FUSM32CFM                                    | only flange clamp |
| Stainless steel                 | SS                          | FUSM32SSM                                    | only flange clamp |