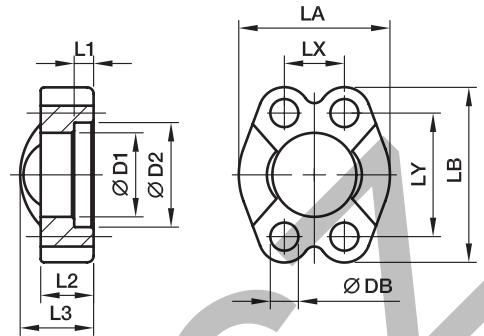


FUS SAE Full flanges

ISO 6162-1/-2



3000 PSI Series

Nom. flange size													Bolts		Weight (steel) kg/piece	Order code*	PN (bar ¹)	
SAE (in.)	ISO (DN)	D1	D2	L1	L2	L3	LA	LB	LX	LY	DB	(metr.)	(unc.)	CF			SS	
1/2	13	24.3	31.0	6.2	13	19	46	54.0	17.5	38.1	8.9	M 08×25	5/16×1 1/4	0.13	FUS32	345	345	
3/4	19	32.2	38.9	6.2	14	22	52	65.0	22.3	47.6	10.6	M 10×30	3/8×1 1/4	0.18	FUS33	345	345	
1	25	38.5	45.2	7.5	16	24	59	69.9	26.2	52.4	10.6	M 10×30	3/8×1 1/4	0.22	FUS34	345	345	
1 1/4	32	43.7	51.6	7.5	16	22	73	79.4	30.2	58.7	10.6	M 10×35	-	0.30	FUS35/10	276	276	
1 1/4	32	43.7	51.6	7.5	16	22	73	79.4	30.2	58.7	12.0	-	7/16×1 1/2	0.29	FUS35/12	276	276	
1 1/4	32	43.7	51.6	7.5	16	22	73	79.4	30.2	58.7	12.5	M 12×35	-	0.29	FUS35	276	276	
1 1/2	38	50.8	61.1	7.5	16	25	83	93.8	35.8	69.9	13.5	M 12×35	1/2×1 1/2	0.45	FUS36	207	207	
1 1/2	38	50.8	61.1	7.5	16	25	83	93.8	35.8	69.9	14.5	M 14×35	-	0.44	FUS36/14	207	207	
2	51	62.8	72.3	9.0	16	26	97	101.6	42.8	77.8	13.5	M 12×35	1/2×1 1/2	0.53	FUS38/12	207	207	
2	51	62.8	72.3	9.0	16	26	97	101.6	42.8	77.8	14.5	M 14×35	-	0.51	FUS38	207	207	
2 1/2	64	74.9	84.9	9.0	19	38	109	114.3	50.8	88.9	13.5	M 12×40	1/2×1 3/4	0.85	FUS310	172	172	
2 1/2	64	74.9	84.9	9.0	19	38	109	114.3	50.8	88.9	14.5	M 14×40	-	0.82	FUS310/14	172	172	
3	76	90.9	102.4	9.0	22	41	131	135.0	61.9	106.4	16.7	M 16×45	5/8×1 3/4	1.30	FUS312	138	138	
3 1/2	89	102.4	115.0	10.7	22	28	140	152.4	69.9	120.7	16.7	M 16×45	5/8×2	1.57	FUS314	34	34	
4	102	115.1	127.8	10.7	25	35	150	162.0	77.8	130.2	16.7	M 16×50	5/8×2	1.82	FUS316	34	34	
5	127	140.5	153.2	10.7	28	41	180	184.2	92.1	152.4	16.7	M 16×50	5/8×2 1/4	2.63	FUS320	34	34	

6000 PSI Series

1/2	13	24.6	32.5	7.2	16	22	48	56.4	18.2	40.5	8.9	M 08×30	5/16×1 1/4	0.16	FUS62	420	420
3/4	19	32.5	42.0	8.3	19	28	60	71.4	23.8	50.8	10.6	M 10×35	3/8×1 1/2	0.31	FUS63	420	420
1	25	38.8	48.4	9.0	24	33	70	81.0	27.8	57.2	13.3	M 12×45	-	0.49	FUS64	420	420
1	25	38.9	48.4	9.0	24	33	70	81.0	27.8	57.2	12.0	-	7/16×1 3/4	0.51	FUS64/12	420	420
1 1/4	32	44.5	54.8	9.8	27	38	78	95.3	31.8	66.6	15.0	M 14×50	-	0.77	FUS65	420	420
1 1/4	32	44.5	54.8	9.8	27	38	78	95.3	31.8	66.6	13.3	M 12×45	1/2×1 3/4	0.81	FUS65/12	420	420
1 1/2	38	51.6	64.3	12.1	30	43	96	112.8	36.5	79.3	16.7	M 16×55	5/8×2 1/4	1.31	FUS66	420	420
2	51	67.6	80.2	12.1	37	52	114	133.4	44.5	96.8	20.6	M 20×65	3/4×2 3/4	2.00	FUS68	420	420
2 1/2	64	90.0	108.9	20.5	45	55	150	180.0	58.7	123.8	25.0	M 24×75	-	3.95	FUS610	420	420
3	76	115.0	132.5	25.5	55	55	178	215.0	71.4	152.4	31.0	M 30×90	-	6.73	FUS612	420	420

1) Pressure shown = Item deliverable

$$\frac{\text{PN (bar)}}{10} = \text{PN (MPa)}$$

 *Please add the **suffixes** below according to the material/surface required.

Order code suffixes			
Material	Suffix surface and material	Example	Description
Steel, zinc plated, Cr(VI)-free	CF	FUS32CFX	only flange clamp
Stainless steel	SS	FUS32SSX	only flange clamp