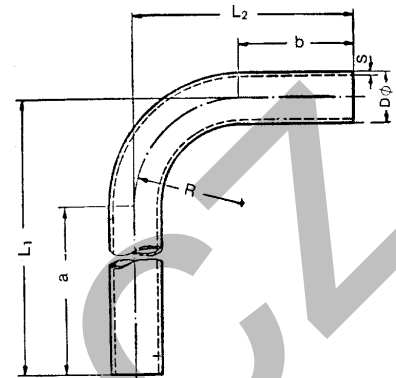


## Seamless EO tube bends 90° Material E235N (St. 37.4) and 1.4571

For minimum pressure loss



Order code		Tube O.D. D	Tolerance ±	Wall- thickness S	Tube I.D. mm	Bending radius R	Leg length		Length		Weight kg/piece
Cr(VI)-free	1.4571						a	b	L1	L2	
<b>RB16X2CF</b>	<b>RB16X271</b>	16	0.08	2.0	12	30	200	40	230	70	0.198
<b>RB18X1.5CF</b>	<b>RB18X1.571</b>	18	0.08	1.5	15	36	200	35	236	71	0.178
<b>RB20X2CF</b>	<b>RB20X2.571</b>	20	0.08	2.0	16	36	200	45	236	81	0.268
<b>RB20X2.5CF</b>		20	0.08	2.5	15	36	200	45	236	81	0.326
<b>RB22X1.5CF</b>	<b>RB22X271</b>	22	0.08	1.5	19	38	200	40	238	78	0.227
<b>RB22X2CF</b>		22	0.08	2.0	18	38	200	40	238	78	0.296
<b>RB25X2CF</b>	<b>RB25X2.571</b>	25	0.08	2.0	21	44	200	50	244	94	0.362
<b>RB25X2.5CF</b>		25	0.08	2.5	20	44	200	50	244	94	0.442
<b>RB25X3CF</b>		25	0.08	3.0	19	44	200	50	244	94	0.519
<b>RB28X1.5CF</b>	<b>RB28X271</b>	28	0.08	1.5	25	48	200	50	248	98	0.319
<b>RB28X2CF</b>		28	0.08	2.0	24	48	200	50	248	98	0.417
<b>RB28X3CF</b>		28	0.08	3.0	22	48	200	50	248	98	0.601
<b>RB30X2.5CF</b>	<b>RB30X371</b>	30	0.08	2.5	25	50	200	60	250	110	0.575
<b>RB30X3CF</b>		30	0.08	3.0	24	50	200	60	250	110	0.677
<b>RB30X4CF</b>		30	0.08	4.0	22	50	200	60	250	110	0.869
<b>RB35X2CF</b>	<b>RB35X271</b>	35	0.15	2.0	31	60	200	65	260	125	0.586
<b>RB35X3CF</b>		35	0.15	3.0	29	60	200	65	260	125	0.852
<b>RB38X2.5CF</b>	<b>RB38X471</b>	38	0.15	2.5	33	65	200	75	265	140	0.827
<b>RB38X3CF</b>		38	0.15	3.0	32	65	200	75	265	140	0.979
<b>RB38X4CF</b>		38	0.15	4.0	30	65	200	75	265	140	1.268
<b>RB38X5CF</b>		38	0.15	5.0	28	65	200	75	265	140	1.538
<b>RB42X2CF</b>	<b>RB42X271</b>	42	0.20	2.0	38	80	200	85	280	165	0.809
<b>RB42X3CF</b>		42	0.20	3.0	36	80	200	85	280	165	1.183
<b>RB50X6*</b>		50	0.20	6.0	38	180	150	150	330	330	3.496
<b>RB65X8*</b>		65	0.30	8.0	49	180	160	160	330	330	6.294

Tolerances for leg length a, b = ± 2.5 mm

For tube bends, contrary to straight tubes of the same wall thickness there is a higher stress at the inside of the bend and a reduction of the fatigue strength, because of the out-of-round of tube. Details see DIN 2413 III section 4.7.

If the elbow end is cut off to a different length, a recalibration of the tube end may be necessary.

Tube bends material E235N (St. 37.4) are phosphated and oiled. (Yellow chromated on request.)

\*phosphated and oiled