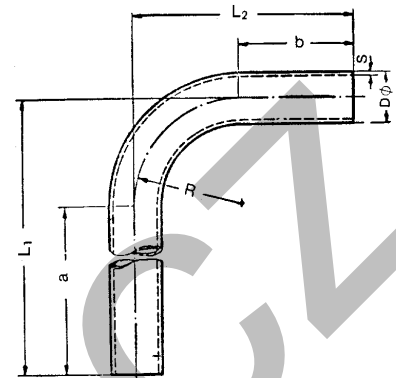


Seamless EO tube bends 90° Material E235N (St. 37.4) and 1.4571

For minimum pressure loss



Order code		Tube O.D. D	Tolerance ±	Wall-thickness S	Tube I.D. mm	Bending radius R	Leg length		Length		Weight kg/piece
Cr(VI)-free	1.4571						a	b	L1	L2	
RB16X2CF	RB16X271	16	0.08	2.0	12	30	200	40	230	70	0.198
RB18X1.5CF	RB18X1.571	18	0.08	1.5	15	36	200	35	236	71	0.178
RB20X2CF	RB20X2.571	20	0.08	2.0	16	36	200	45	236	81	0.268
RB20X2.5CF		20	0.08	2.5	15	36	200	45	236	81	0.326
RB22X1.5CF	RB22X271	22	0.08	1.5	19	38	200	40	238	78	0.227
RB22X2CF		22	0.08	2.0	18	38	200	40	238	78	0.296
RB25X2CF	RB25X2.571	25	0.08	2.0	21	44	200	50	244	94	0.362
RB25X2.5CF		25	0.08	2.5	20	44	200	50	244	94	0.442
RB25X3CF		25	0.08	3.0	19	44	200	50	244	94	0.519
RB28X1.5CF	RB28X271	28	0.08	1.5	25	48	200	50	248	98	0.319
RB28X2CF		28	0.08	2.0	24	48	200	50	248	98	0.417
RB28X3CF		28	0.08	3.0	22	48	200	50	248	98	0.601
RB30X2.5CF	RB30X371	30	0.08	2.5	25	50	200	60	250	110	0.575
RB30X3CF		30	0.08	3.0	24	50	200	60	250	110	0.677
RB30X4CF		30	0.08	4.0	22	50	200	60	250	110	0.869
RB35X2CF	RB35X271	35	0.15	2.0	31	60	200	65	260	125	0.586
RB35X3CF		35	0.15	3.0	29	60	200	65	260	125	0.852
RB38X2.5CF	RB38X471	38	0.15	2.5	33	65	200	75	265	140	0.827
RB38X3CF		38	0.15	3.0	32	65	200	75	265	140	0.979
RB38X4CF		38	0.15	4.0	30	65	200	75	265	140	1.268
RB38X5CF		38	0.15	5.0	28	65	200	75	265	140	1.538
RB42X2CF	RB42X271	42	0.20	2.0	38	80	200	85	280	165	0.809
RB42X3CF		42	0.20	3.0	36	80	200	85	280	165	1.183
RB50X6*		50	0.20	6.0	38	180	150	150	330	330	3.496
RB65X8*		65	0.30	8.0	49	180	160	160	330	330	6.294

Tolerances for leg length a, b = ± 2.5 mm

For tube bends, contrary to straight tubes of the same wall thickness there is a higher stress at the inside of the bend and a reduction of the fatigue strength, because of the out-of-round of tube. Details see DIN 2413 III section 4.7.

If the elbow end is cut off to a different length, a recalibration of the tube end may be necessary.

Tube bends material E235N (St. 37.4) are phosphated and oiled. (Yellow chromated on request.)

*phosphated and oiled