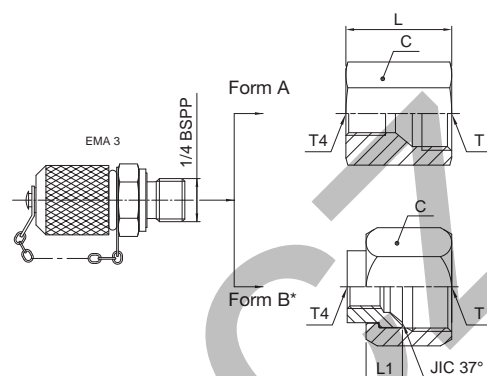


## TTP4MX Test point connection

Triple-Lok® 37° Flare female end / EMA3 test point



\* Form B versions delivered complete with BMTXS nut.

Tube O.D. T		Thread BSPP T4	Thread UN/UNF-2B T	Form	L mm	L1 mm	C mm	Weight (steel) g/1 piece	Triple-Lok® Steel	PN (bar)
6	1/4	1/4-19	7/16-20	A	29	-	19	132	<b>4TTP4MXS</b>	400
8	5/16	1/4-19	1/2-20	A	29	-	19	136	<b>5TTP4MXS</b>	400
10	3/8	1/4-19	9/16-18	A	29	-	19	133	<b>6TTP4MXS</b>	400
12	1/2	1/4-19	3/4-16	A	32	-	22	152	<b>8TTP4MXS</b>	400
14, 15, 16	5/8	1/4-19	7/8-14	A	32	-	27	192	<b>10TTP4MXS</b>	350
18, 20	3/4	1/4-19	1 1/16-12	B	-	11	32	132	<b>12TTP4XS</b>	350
25	1	1/4-19	1 5/16-12	B	-	12	41	146	<b>16TTP4XS</b>	280
28, 30, 32	1 1/4	1/4-19	1 5/8-12	B	-	15	50	188	<b>20TTP4XS</b>	280
35, 38	1 1/2	1/4-19	1 7/8-12	B	-	17	60	275	<b>24TTP4XS</b>	210

Order codes shown are part of our current manufacturing programme.

Imperial and metric parts may vary in hexagon dimensions.

$$\frac{\text{PN (bar)}}{10} = \text{PN (MPa)}$$

Do not create drawings from these dimensions, they are subject to change and ISO manufacturing allowances.