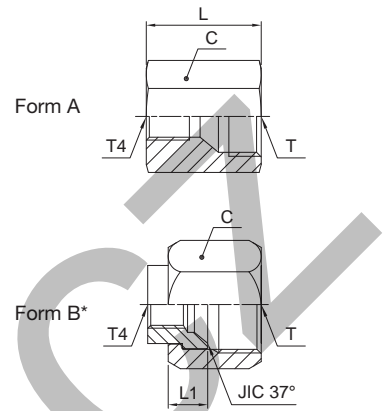


### TT4MX Test point connector

Triple-Lok® 37° Flare female end / Female BSPP thread (ISO 1179-1) for EMA3 test point



\* Form B has to be assembled with a nut BMTX / BTX (to be ordered separately).

Tube O.D. T		Thread BSPP T4	Thread UN/UNF-2B T	Form	L mm	L1 mm	C mm	Weight (steel) g/1 piece	Triple-Lok® Steel	Triple-Lok® Stainless Steel	PN (bar)	
mm	in.										S	SS
6	1/4	1/4-19	7/16-20	A	29	-	19	42	<b>4TT4MXS</b>	<b>4TT4MXSS</b>	400	350
8	5/16	1/4-19	1/2-20	A	29	-	19	46	<b>5TT4MXS</b>	<b>5TT4MXSS</b>	400	350
10	3/8	1/4-19	9/16-18	A	29	-	19	43	<b>6TT4MXS</b>	<b>6TT4MXSS</b>	400	350
12	1/2	1/4-19	3/4-16	A	32	-	22	62	<b>8TT4MXS</b>	<b>8TT4MXSS</b>	400	350
14, 15, 16	5/8	1/4-19	7/8-14	A	32	-	27	102	<b>10TT4MXS</b>	<b>10TT4MXSS</b>	350	350
18, 20	3/4	1/4-19	1 1/16-12	B	-	11	32	42	<b>12TT4XS</b>	<b>12TT4XSS</b>	350	350
25	1	1/4-19	1 5/16-12	B	-	12	41	56	<b>16TT4XS</b>	<b>16TT4XSS</b>	280	280
28, 30, 32	1 1/4	1/4-19	1 5/8-12	B	-	15	50	98	<b>20TT4XS</b>	<b>20TT4XSS</b>	280	210
35, 38	1 1/2	1/4-19	1 7/8-12	B	-	17	60	185	<b>24TT4XS</b>	<b>24TT4XSS</b>	210	210

Order codes shown are part of our current manufacturing programme.

Imperial and metric parts may vary in hexagon dimensions.

$$\frac{PN \text{ (bar)}}{10} = PN \text{ (MPa)}$$

Do not create drawings from these dimensions, they are subject to change and ISO manufacturing allowances.