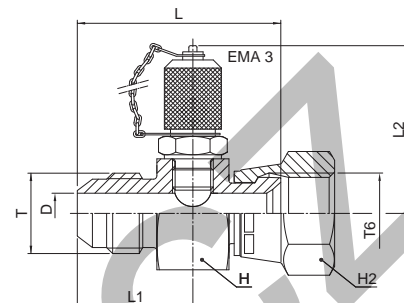


R6P4MX Test point connector

Male / Female swivel Triple-Lok® 37° flare end / EMA3 test point



Tube O.D. T		Thread UN/UNF-2A T	Thread UN/UNF-2B T6	D	L	L1	L2	H	H2	Weight (steel) g/1 piece	Triple-Lok® Steel	PN (bar)
mm	in.			mm	mm	mm	mm	mm	mm			
6	1/4	7/16-20	7/16-20	4.4	45	26	54	36	14	270	4-4R6P4MXS	500
8	5/16	1/2-20	1/2-20	6.0	46	26	54	36	17	290	5-4R6P4MXS	420
10	3/8	9/16-18	9/16-18	7.5	47	26	54	36	19	300	6-4R6P4MXS	350
12	1/2	3/4-16	3/4-16	9.9	50	28	54	36	22	308	8-4R6P4MXS	350
14, 15, 16	5/8	7/8-14	7/8-14	12.3	54	31	54	36	27	337	10-4R6P4MXS	350
18, 20	3/4	1 1/16-12	1 1/16-12	15.5	56	34	54	41	32	416	12-4R6P4MXS	350
25	1	1 5/16-12	1 5/16-12	21.4	60	35	54	46	38	506	16-4R6P4MXS	250
28, 30, 32	1 1/4	1 5/8-12	1 5/8-12	27.4	64	36	54	50	50	691	20-4R6P4MXS	250
35, 38	1 1/2	1 7/8-12	1 7/8-12	33.3	69	39	54	60	60	995	24-4R6P4MXS	170

Order codes shown are part of our current manufacturing programme.

Imperial and metric parts may vary in hexagon dimensions.

$$\frac{\text{PN (bar)}}{10} = \text{PN (MPa)}$$

Do not create drawings from these dimensions, they are subject to change and ISO manufacturing allowances.