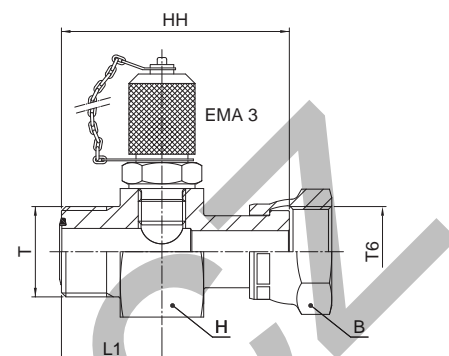


R6P4MLO Test point connector

O-Lok® ORFS end / O-Lok® ORFS female swivel end / EMA3 test point



Tube O.D.		Thread UN/UNF-2A T	Thread UN/UNF-2B T6	HH mm	L1 mm	H mm	B mm	Weight (steel) g/1 piece	O-Lok® Steel	PN (bar)
mm	in.									
6	1/4	9/16-18	9/16-18	50	22	36	17	270	4-4R6P4MLOS	420
8, 10	3/8	11/16-16	11/16-16	53	23	36	22	300	6-4R6P4MLOS	420
12	1/2	13/16-16	13/16-16	58	25	36	24	308	8-4R6P4MLOS	420
14, 15, 16	5/8	1-14	1-14	64	27	36	30	337	10-4R6P4MLOS	420
18, 20	3/4	1 3/16-12	1 3/16-12	68	29	41	36	416	12-4R6P4MLOS	420
22, 25	1	1 7/16-12	1 7/16-12	71	29	46	41	506	16-4R6P4MLOS	420
28, 30, 32	1 1/4	1 11/16-12	1 11/16-12	78	29	50	50	691	20-4R6P4MLOS	280
35, 38	1 1/2	2-12	2-12	74	29	60	60	995	24-4R6P4MLOS	280

Product delivered with NBR TRAP seal. Replacement of TRAP seal is with a standard NBR O-ring – see page J73-J74.

Part numbers shown are part of our current manufacturing programme.

Imperial and metric parts may vary in hexagon dimensions.

$$\frac{\text{PN (bar)}}{10} = \text{PN (MPa)}$$

Do not create drawings from these dimensions, they are subject to change and ISO manufacturing allowances.