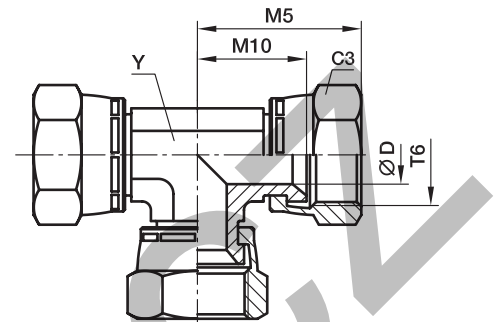


JX6 Swivel nut union tee

Triple-Lok® 37° Flare female swivel ends



Tube O.D.	Thread	C3	D	M5	M10	Y	Weight (steel)	Triple-Lok® Steel	PN
mm	UN/UNF-2B T6	mm	mm	mm	mm	mm	g/1 piece		(bar)
6	7/16-20	14.3	4.4	26	17	11	55	4 JX6-S	500
8, 10	9/16-18	17.5	7.5	32	22	14	85	6 JX6-S	350
12	3/4-16	22.2	9.9	35	24	19	150	8 JX6-S	350
14, 15, 16	7/8-14	25.4	12.3	42	29	22	220	10 JX6-S	350
18, 20	1 1/16-12	31.8	15.5	42	30	27	345	12 JX6-S	350
25	1 5/16-12	38.0	21.4	52	36	30	510	16 JX6-S	250

Order codes shown are part of our current manufacturing programme.
Imperial and metric parts may vary in hexagon dimensions.

$$\frac{\text{PN (bar)}}{10} = \text{PN (MPa)}$$

Do not create drawings from these dimensions, they are subject to change and ISO manufacturing allowances.