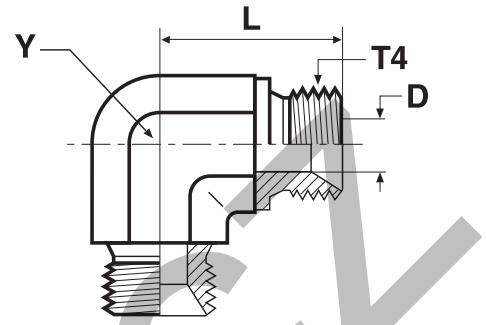


Adapters

EMK4 Union elbow

BSPP 60° Cone end (ISO 8434-6)

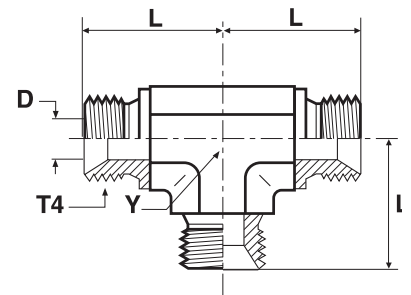


Thread BSPP T4	D mm	L mm	Y mm	Weight (steel) g/1 piece	Adapter Steel	Adapter Stainless Steel	PN (bar)	
							S	SS
1/8-28	3.5	17	11	21	2EMK4S	2EMK4SS	350	350
1/4-19	4.7	24	14	45	4EMK4S	4EMK4SS	350	350
3/8-19	7.9	27	19	85	6EMK4S	6EMK4SS	350	350
1/2-14	11.1	32	22	123	8EMK4S	8EMK4SS	200	200
5/8-14	14.3	34	22	109	10EMK4S	10EMK4SS	200	200
3/4-14	16.7	36	27	178	12EMK4S	12EMK4SS	200	200
1-11	22.2	42	33	288	16EMK4S	16EMK4SS	120	120
1 1/4-11	28.6	48	41	512	20EMK4S	20EMK4SS	105	105
1 1/2-11	33.3	54	48	824	24EMK4S	24EMK4SS	105	105

Do not create drawings from these dimensions, they are subject to change and ISO manufacturing allowances.

JMK4 Union tee

BSPP 60° Cone end (ISO 8434-6)



Thread BSPP T4	D mm	L mm	Y mm	Weight (steel) g/1 piece	Adapter Steel	Adapter Stainless Steel	PN (bar)	
							S	SS
1/8-28	3.5	17	11	33	2JMK4S	2JMK4SS	350	350
1/4-19	4.7	24	14	61	4JMK4S	4JMK4SS	350	350
3/8-19	7.9	27	19	105	6JMK4S	6JMK4SS	350	350
1/2-14	11.1	32	22	157	8JMK4S	8JMK4SS	200	200
5/8-14	14.3	34	22	145	10JMK4S	10JMK4SS	200	200
3/4-14	16.7	36	27	258	12JMK4S	12JMK4SS	200	200
1-11	22.2	42	33	591	16JMK4S	16JMK4SS	120	120
1 1/4-11	28.6	48	41	646	20JMK4S	20JMK4SS	105	105
1 1/2-11	33.3	54	48	940	24JMK4S	24JMK4SS	105	105

Order codes shown are part of our current manufacturing programme.

Imperial and metric parts may vary in hexagon dimensions.

$$\frac{\text{PN (bar)}}{10} = \text{PN (MPa)}$$

Do not create drawings from these dimensions, they are subject to change and ISO manufacturing allowances.