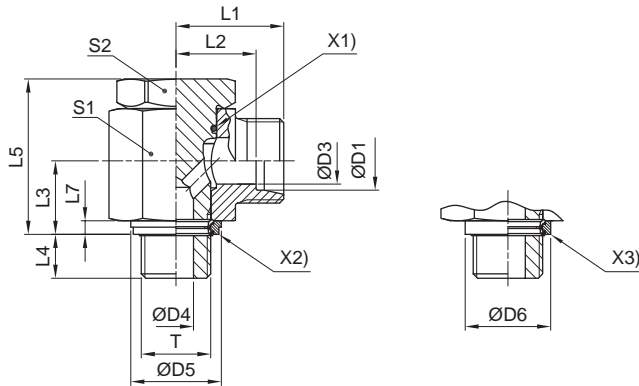


WH-R-KD (71) High pressure banjo elbow

EO 24° cone end / Male BSPP thread with soft seal ring



- X1) O-ring OR
 X2) Sealing ring KDS (for ports with small spot face, ISO 1179)
 X3) Sealing ring KD (for ports with wide spot face, ISO 1179)

| Series | D1 | T | D3 | D4 | D5 KDS | D6 KD | L1 | L2 | L3 | L4 | L5 | L6 | L7 | S1 | S2 | S3 | Weight g/1 piece | Order code* | PN (bar) ¹⁾ |
|-----------------|-----------|-----------|------|------|-----------|----------|------|------|------|----|----|-----|-----|----|----|------|---------------------|-------------|------------------------|
| L ³⁾ | 06 | G 1/8 A | 4 | 4.5 | 14.9 | 17 | 19.0 | 12.0 | 10.5 | 8 | 24 | 27 | 2.5 | 17 | 17 | 14 | 53 | WH06LRKDOMD | 315 |
| | 08 | G 1/4 A | 6 | 6.0 | 18.9 | 22 | 21.5 | 14.5 | 14.0 | 12 | 30 | 29 | 3.0 | 22 | 19 | 17 | 101 | WH08LRKDOMD | 315 |
| | 10 | G 1/4 A | 8 | 6.0 | 18.9 | 22 | 22.5 | 15.5 | 14.0 | 12 | 30 | 30 | 3.0 | 22 | 19 | 19 | 102 | WH10LRKDOMD | 315 |
| | 12 | G 3/8 A | 10 | 7.5 | 21.9 | 27 | 25.0 | 18.0 | 16.5 | 12 | 36 | 33 | 3.0 | 27 | 24 | 22 | 181 | WH12LRKDOMD | 315 |
| | 15 | G 1/2 A | 12 | 11.0 | 26.9 | 32 | 28.5 | 21.5 | 21.5 | 14 | 45 | 37 | 4.5 | 32 | 30 | 27 | 312 | WH15LRKDOMD | 315 |
| | 18 | G 1/2 A | 15 | 11.0 | 26.9 | 32 | 28.5 | 21.0 | 21.5 | 14 | 45 | 37 | 4.5 | 32 | 30 | 32 | 319 | WH18LRKDOMD | 315 |
| | 22 | G 3/4 A | 19 | 17.0 | 32.9 | 41 | 35.0 | 27.5 | 24.0 | 16 | 53 | 44 | 3.5 | 41 | 36 | 36 | 578 | WH22LRKDOMD | 160 |
| | 28 | G 1 A | 24 | 21.0 | 39.9 | 46 | 39.5 | 32.0 | 30.5 | 18 | 66 | 49 | 3.5 | 50 | 46 | 41 | 1035 | WH28LRKDOMD | 160 |
| | 35 | G 1 1/4 A | 30 | 27.0 | 49.9 | 57 | 46.5 | 36.0 | 35.5 | 20 | 76 | 58 | 3.5 | 60 | 55 | 50 | 1499 | WH35LRKDOMD | 160 |
| | 42 | G 1 1/2 A | 36 | 34.0 | 55.9 | 64 | 51.5 | 40.5 | 40.5 | 22 | 87 | 63 | 3.5 | 70 | 60 | 60 | 2196 | WH42LRKDOMD | 160 |
| S ⁴⁾ | 06 | G 1/4 A | 4 | 6.0 | 18.9 | 22 | 23.5 | 16.5 | 14.0 | 12 | 30 | 31 | 3.0 | 22 | 19 | 17 | 107 | WH06SRKDOMD | 400 |
| | 08 | G 1/4 A | 5 | 6.0 | 18.9 | 22 | 23.5 | 16.5 | 14.0 | 12 | 30 | 31 | 3.0 | 22 | 19 | 19 | 107 | WH08SRKDOMD | 400 |
| | 10 | G 3/8 A | 7 | 7.5 | 21.9 | 27 | 26.0 | 18.5 | 16.5 | 12 | 36 | 35 | 3.0 | 27 | 24 | 22 | 188 | WH10SRKDOMD | 400 |
| | 12 | G 3/8 A | 8 | 7.5 | 21.9 | 27 | 26.0 | 18.5 | 16.5 | 12 | 36 | 35 | 3.0 | 30 | 24 | 24 | 190 | WH12SRKDOMD | 400 |
| | 16 | G 1/2 A | 12 | 11.0 | 26.9 | 32 | 30.5 | 22.0 | 21.5 | 14 | 45 | 40 | 4.5 | 32 | 30 | 30 | 324 | WH16SRKDOMD | 315 |
| | 20 | G 3/4 A | 16 | 17.0 | 32.9 | 41 | 37.0 | 26.5 | 24.0 | 16 | 53 | 48 | 3.5 | 41 | 36 | 36 | 588 | WH20SRKDOMD | 315 |
| | 25 | G 1 A | 20 | 21.0 | 39.9 | 46 | 43.5 | 31.5 | 30.5 | 18 | 66 | 56 | 3.5 | 50 | 46 | 46 | 1073 | WH25SRKDOMD | 250 |
| | 30 | G 1 1/4 A | 25 | 27.0 | 49.9 | 57 | 50.5 | 37.0 | 35.5 | 20 | 76 | 64 | 3.5 | 60 | 55 | 50 | 1559 | WH30SRKDOMD | 160 |
| 38 | G 1 1/2 A | 32 | 34.0 | 55.9 | 64 | 57.5 | 41.5 | 40.5 | 22 | 87 | 72 | 3.5 | 70 | 60 | 60 | 2296 | WH38SRKDOMD | 160 | |

¹⁾ Pressure shown = item deliverable

³⁾ L = light series; ⁴⁾ S = heavy series

$$\frac{\text{PN (bar)}}{10} = \text{PN (MPa)}$$

Delivery without nut and ring. Information on ordering complete fittings or alternative sealing materials see page 17.

*Please add the **suffixes** below according to the material/surface required.

| Order code suffixes | | | |
|---------------------|-----------------------------|---------------|---|
| Material | Suffix surface and material | Example | Standard sealing material (no additional suffix needed) |
| Stainless Steel | 71 | WH16SRKDOMD71 | VIT/PTFE |