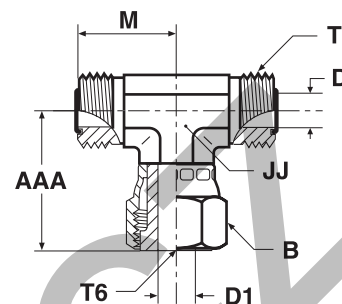


## S6MLO Swivel nut branch tee

O-Lok® ORFS female swivel end / O-Lok® ORFS tube ends  
SAE 52M0433 ISO 8434-3 SWBT



Tube O.D. mm	Tube O.D. in.	Thread UN/UNF-2A T	Thread UN/UNF-2B T6	AAA mm	B mm	D mm	D1 mm	JJ* mm	M mm	Weight (steel) g/1 piece	O-Lok®		PN (bar)	
											Steel	Stainless Steel	S	SS
6	1/4	9/16-18	9/16-18	26	17	4.5	4.0	14	22	66	<b>4S6MLOS</b>	<b>4S6MLOSS</b>	500	420
8, 10	5/16, 3/8	11/16-16	11/16-16	29	22	6.5	6.5	19	25	125	<b>6S6MLOS</b>	<b>6S6MLOSS</b>	630	420
12	1/2	13/16-16	13/16-16	38	24	9.5	9.0	19	28	150	<b>8S6MLOS</b>	<b>8S6MLOSS</b>	630	420
14, 15, 16	5/8	1-14	1-14	41	30	12.5	11.5	27	33	233	<b>10S6MLOS</b>	<b>10S6MLOSS</b>	420	420
18, 20	3/4	1 3/16-12	1 3/16-12	47	35	15.5	14.0	30	38	383	<b>12 S6LO-S</b>	<b>12S6MLOSS</b>	420	420
22, 25	1	1 7/16-12	1 7/16-12	54	41	20.5	20.0	36	42	518	<b>16 S6LO-S</b>	<b>16S6MLOSS</b>	420	420
28, 30, 32	1 1/4	1 11/16-12	1 11/16-12	58	48	26.0	26.0	41	45	775	<b>20 S6LO-S</b>	<b>20S6MLOSS</b>	350	280
35, 38	1 1/2	2-12	2-12	61	57	32.0	32.0	48	49	933	<b>24 S6LO-S</b>	<b>24S6MLOSS</b>	280	280

Product delivered with NBR TRAP seal. Replacement of TRAP seal is with a standard NBR O-ring – see page J73-J74.

Part numbers shown are part of our current manufacturing programme.

Imperial and metric parts may vary in hexagon dimensions.

$\frac{\text{PN (bar)}}{10} = \text{PN (MPa)}$

Do not create drawings from these dimensions, they are subject to change and ISO manufacturing allowances.

\*JJ may vary in stainless steel