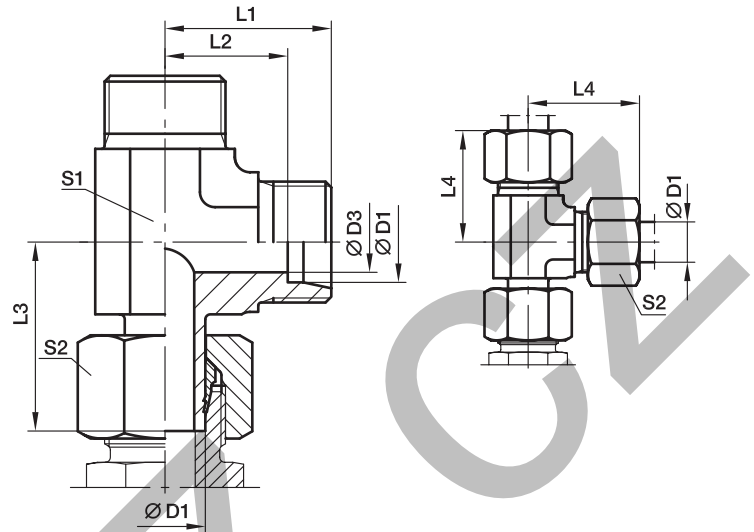


## EVL standpipe run tee

EO 24° cone end / EO stand pipe adjustable



With pre-assembled nut and progressive ring for connection.  
Final assembly (in appropriate body) at least 1/4 turn beyond the point of clearly perceptible resistance.

Series	D1	D3	L1	L2	L3	L4	S1	S2	Weight g/1 piece	Order code*	PN (bar) <sup>1)</sup>		
											Steel	71	MS
L <sup>3)</sup>	06	4	19	12.0	26.0	27	12	14	40	<b>EVL06LOMD</b>	315	315	200
	08	6	21	14.0	27.5	29	12	17	50	<b>EVL08LOMD</b>	315	315	200
	10	8	22	15.0	29.0	30	14	19	64	<b>EVL10LOMD</b>	315	315	200
	12	10	24	17.0	30.5	32	17	22	93	<b>EVL12LOMD</b>	315	315	200
	15	12	28	21.0	32.5	36	19	27	147	<b>EVL15LOMD</b>	315	315	200
	18	15	31	23.5	35.5	40	24	32	229	<b>EVL18LOMD</b>	315	315	200
	22	19	35	27.5	39.0	44	27	36	296	<b>EVL22LOMD</b>	160	160	
	28	24	38	30.5	43.5	47	36	41	416	<b>EVL28LOMD</b>	160	160	
	35	30	45	34.5	54.5	56	41	50	661	<b>EVL35LOMD</b>	160	160	
	42	36	51	40.0	60.0	63	50	60	1105	<b>EVL42LOMD</b>	160	160	
S <sup>4)</sup>	06	4	23	16.0	27.0	31	12	17	57	<b>EVL06SOMD</b>	630	630	
	08	5	24	17.0	29.0	32	14	19	84	<b>EVL08SOMD</b>	630	630	
	10	7	25	17.5	32.0	34	17	22	116	<b>EVL10SOMD</b>	630	630	
	12	8	29	21.5	33.0	38	17	24	137	<b>EVL12SOMD</b>	630	630	
	16	12	33	24.5	37.5	43	24	30	259	<b>EVL16SOMD</b>	400	400	
	20	16	37	26.5	44.5	48	27	36	371	<b>EVL20SOMD</b>	400	400	
	25	20	42	30.0	50.5	54	36	46	647	<b>EVL25SOMD</b>	400	400	
	30	25	49	35.5	56.5	62	41	50	906	<b>EVL30SOMD</b>	400	400	
	38	32	57	41.0	66.5	72	50	60	1549	<b>EVL38SOMD</b>	315	315	

<sup>1)</sup> Pressure shown = item deliverable

<sup>3)</sup> L = light series; <sup>4)</sup> S = heavy series

$\frac{\text{PN (bar)}}{10} = \text{PN (MPa)}$

The use of the swivel nut fitting EL is to be preferred (see page I30).

Delivery without nut and ring. Information on ordering complete fittings see page I7.

\*Please add the **suffixes** below according to the material/surface required.

Order code suffixes		
Material	Suffix surface and material	Example
Steel	CF	EVL16SOMDCF
Stainless Steel	71	EVL16SOMD71
Brass	MS	EVL18LOMDMS