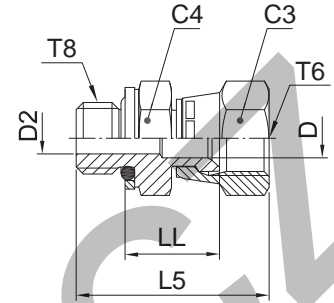


F68OMX Swivel male stud

Triple-Lok® 37° Flare female swivel end / Male metric thread O-ring + retaining ring



Tube O.D. mm	Tube O.D. in.	Thread Metric T8	Thread UN/UNF-2B T6	C4 mm	C3 mm	D mm	D2 mm	L5 mm	LL mm	Weight (steel) g/1 piece	Triple-Lok® Steel	PN (bar)
6	1/4	M 10×1.0	7/16-20	14	14	4.4	4.0	32	15.0	28	4M10F68OMXS	350
8	5/16	M 12×1.5	1/2-20	17	17	6.0	6.0	37	18.0	32	5M12F68OMXS	420
10	3/8	M 14×1.5	9/16-18	19	19	7.5	7.0	38	19.5	42	6M14F68OMXS	350
12	1/2	M 16×1.5	3/4-16	22	22	9.9	7.5	44	23.0	62	8M16F68OMXS	350
12	1/2	M 18×1.5	3/4-16	24	22	9.9	11.0	45	23.0	62	8M18F68OMXS	250
14, 15, 16	5/8	M 18×1.5	7/8-14	24	27	12.3	11.0	48	25.0	127	10M18F68OMXS	250
14, 15, 16	5/8	M 22×1.5	7/8-14	27	27	12.3	14.0	49	25.0	155	10M22F68OMXS	250
18, 20	3/4	M 27×2.0	1 1/16-12	32	32	15.5	15.5	55	26.0	172	12M27F68OMXS	210
25	1	M 33×2.0	1 5/16-12	41	38	21.5	23.0	57	29.0	259	16M33F68OMXS	210
28, 30, 32	1 1/4	M 42×2.0	1 5/8-12	50	50	27.5	30.0	63	33.0	484	20M42F68OMXS	210

Steel, stainless steel and brass Triple-Lok® parts are delivered with NBR elastomeric seals as standard. For more details on other seal materials see page K92.

Order codes shown are part of our current manufacturing programme.

Imperial and metric parts may vary in hexagon dimensions.

$$\frac{\text{PN (bar)}}{10} = \text{PN (MPa)}$$

Do not create drawings from these dimensions, they are subject to change and ISO manufacturing allowances.