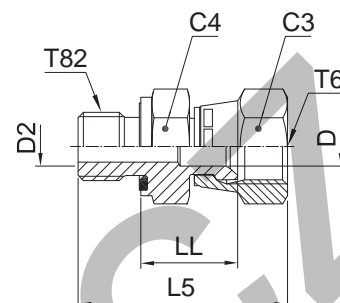


F682EDMX Swivel male stud

Triple-Lok® 37° Flare female swivel end / Male metric thread – ED seal (ISO 9974)



Tube O.D.		Thread Metric T82	Thread UN/UNF-2B T6	C4 mm	C3 mm	D mm	D2 mm	L5 mm	LL mm	Weight (steel) g/1 piece	Triple-Lok®		PN (bar)	
mm	in.										Steel	Stainless Steel	S	SS
6	1/4	M 10×1.0	7/16-20	14	14	4.4	4.0	32	15.0	28	4M10F682EDMXS	4M10F682EDMXSS	500	350
8	5/16	M 12×1.5	1/2-20	17	17	6.0	6.0	38	17.0	32	5M12F682EDMXS	5M12F682EDMXSS	420	350
10	3/8	M 14×1.5	9/16-18	19	19	7.5	7.0	40	18.0	42	6M14F682EDMXS	6M14F682EDMXSS	350	350
12	1/2	M 16×1.5	3/4-16	22	22	9.9	9.0	44	21.0	62	8M16F682EDMXS	8M16F682EDMXSS	350	350
12	1/2	M 18×1.5	3/4-16	24	22	9.9	11.0	44	21.0	70	8M18F682EDMXS	8M18F682EDMXSS	350	350
14, 15, 16	5/8	M 18×1.5	7/8-14	24	27	12.3	11.0	48	23.0	125	10M18F682EDMXS	10M18F682EDMXSS	350	350
14, 15, 16	5/8	M 22×1.5	7/8-14	27	27	12.3	14.0	50	23.0	155	10M22F682EDMXS	10M22F682EDMXSS	350	350
18, 20	3/4	M 22×1.5	1 1/16-12	27	32	15.5	14.0	52	24.5	160	12M22F682EDMXS	12M22F682EDMXSS	350	350
18, 20	3/4	M 27×2.0	1 1/16-12	32	32	15.5	15.5	55	24.5	172	12M27F682EDMXS	12M27F682EDMXSS	350	350
25	1	M 33×2.0	1 5/16-12	41	38	21.5	23.0	61	26.5	259	16M33F682EDMXS	16M33F682EDMXSS	250	250
28, 30, 32	1 1/4	M 42×2.0	1 5/8-12	50	50	27.5	30.0	68	32.0	484	20M42F682EDMXS	20M42F682EDMXSS	250	210

Steel, stainless steel and brass Triple-Lok® parts are delivered with NBR elastomeric seals as standard. For more details on other seal materials see page K92.

Order codes shown are part of our current manufacturing programme.

Imperial and metric parts may vary in hexagon dimensions.

$$\frac{\text{PN (bar)}}{10} = \text{PN (MPa)}$$

Do not create drawings from these dimensions, they are subject to change and ISO manufacturing allowances.