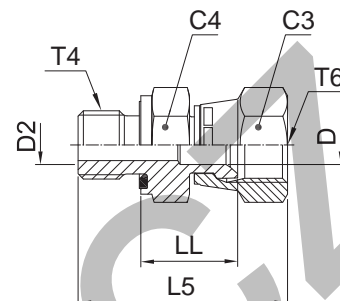


F642EDMX Swivel male stud

Triple-Lok® 37° Flare female swivel end / Male BSPP thread – ED seal (ISO 1179)



Tube O.D. mm	in.	Thread BSPP T4	Thread UN/UNF-2B T6	C4 mm	C3 mm	D mm	D2 mm	L5 mm	LL mm	Weight (steel) g/1 piece	Triple-Lok®		PN (bar)	
											Steel	Stainless Steel	S	SS
6	1/4	1/8-28	7/16-20	14	14	4.4	4.4	32	15.0	30	4F642EDMXS	4F642EDMXSS	500	350
6	1/4	1/4-19	7/16-20	19	14	4.4	4.4	37	16.5	30	4-4F642EDMXS	4-4F642EDMXSS	420	350
8	5/16	1/8-28	1/2-20	14	17	6.0	4.0	34	17.0	28	5F642EDMXS	5F642EDMXSS	420	350
8	5/16	1/4-19	1/2-20	19	17	6.0	6.0	39	17.5	37	5-4F642EDMXS	5-4F642EDMXSS	420	350
10	3/8	1/4-19	9/16-18	19	19	7.5	6.0	40	18.5	41	6F642EDMXS	6F642EDMXSS	350	350
10	3/8	3/8-19	9/16-18	22	19	7.5	9.0	41	19.0	57	6-6F642EDMXS	6-6F642EDMXSS	350	350
12	1/2	3/8-19	3/4-16	22	22	9.9	9.0	44	21.0	62	8F642EDMXS	8F642EDMXSS	350	350
12	1/2	1/4-19	3/4-16	19	22	9.9	6.0	44	21.0	60	8-4F642EDMXS	8-4F642EDMXSS	350	350
12	1/2	1/2-14	3/4-16	27	22	9.9	14.0	48	23.0	75	8-8F642EDMXS	8-8F642EDMXSS	350	350
14, 15, 16	5/8	1/2-14	7/8-14	27	27	12.3	14.0	50	23.0	127	10F642EDMXS	10F642EDMXSS	350	350
14, 15, 16	5/8	3/8-19	7/8-14	22	27	12.3	9.0	44	21.0	84	10-6F642EDMXS	10-6F642EDMXSS	350	350
				36	32	12.3	12.3	49	23.0	169	10-12F642EDMXS	10-12F642EDMXSS	350	350
18, 20	3/4	3/4-14	1 1/16-12	32	32	15.5	18.0	55	24.5	183	12F642EDMXS	12F642EDMXSS	350	350
18, 20	3/4	1/2-14	1 1/16-12	27	32	15.5	14.0	53	24.5	170	12-8F642EDMXS	12-8F642EDMXSS	350	350
25	1	1-11	1 5/16-12	41	38	21.5	23.0	61	27.5	296	16F642EDMXS	16F642EDMXSS	250	250
25	1	3/4-14	1 5/16-12	32	38	21.5	18.0	59	27.5	254	16-12F642EDMXS	16-12F642EDMXSS	250	250
28, 30, 33	1 1/4	1 1/4-11	1 5/8-12	50	50	27.5	30.0	68	32.0	500	20F642EDMXS	20F642EDMXSS	250	210
28, 30, 32	1 1/4	1-11	1 5/8-12	41	50	27.5	23.0	70	36.5	440	20-16F642EDMXS	20-16F642EDMXSS	250	210
35, 38	1 1/2	1 1/2-11	1 7/8-12	55	60	33.0	36.0	80	36.0	739	24F642EDMXS	24F642EDMXSS	170	140

Steel, stainless steel and brass Triple-Lok® parts are delivered with NBR elastomeric seals as standard. For more details on other seal materials see page K92.

Order codes shown are part of our current manufacturing programme.

Imperial and metric parts may vary in hexagon dimensions.

$$\frac{\text{PN (bar)}}{10} = \text{PN (MPa)}$$

Do not create drawings from these dimensions, they are subject to change and ISO manufacturing allowances.