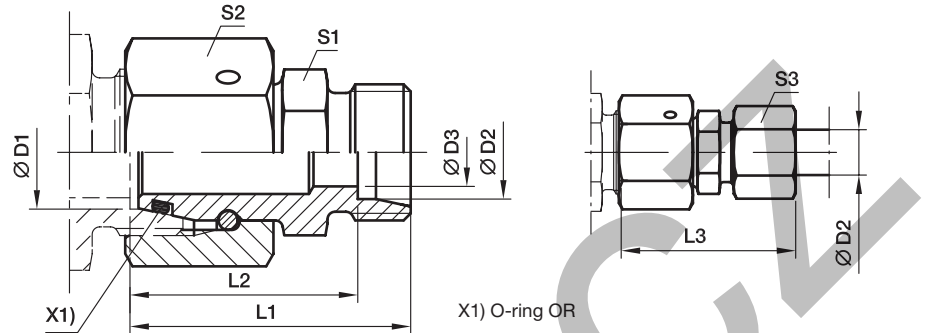


## RED Tube end reducer

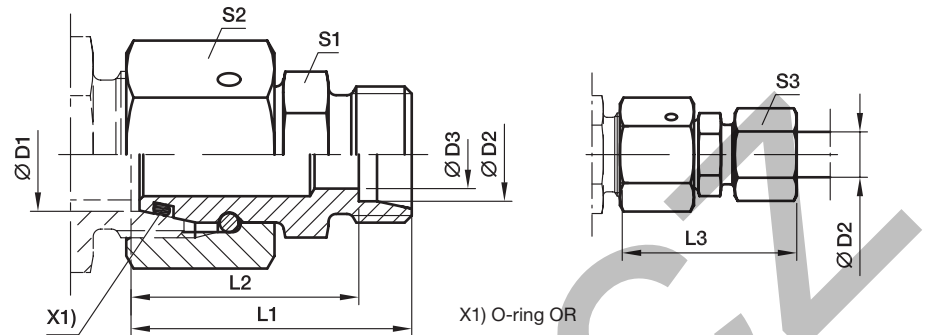
EO 24° DKO swivel / EO 24° cone end



Series <small>2) 3) 4)</small>	D1	D2	D3	L1	L2	L3	S1	S2	S3	Weight g/1 piece	Order code*	PN (bar) <sup>1)</sup>	
												Steel	71
L/LL	06	04	2.5	28.5	24.5	34.0	9	14	10	17	<b>RED06L/04LLOMD</b>	100	100
L	08	06	4.0	30.5	23.5	38.0	12	17	14	29	<b>RED08/06LOMD</b>	500	315
L	10	06	4.0	32.0	25.0	40.0	14	19	14	36	<b>RED10/06LOMD</b>	500	315
L	10	08	6.0	32.0	25.0	40.0	14	19	17	38	<b>RED10/08LOMD</b>	500	315
L	12	06	4.0	32.0	25.0	40.0	17	22	14	49	<b>RED12/06LOMD</b>	400	315
L	12	08	6.0	32.0	25.0	40.0	17	22	17	49	<b>RED12/08LOMD</b>	400	315
L	12	10	8.0	33.0	26.0	41.0	17	22	19	51	<b>RED12/10LOMD</b>	400	315
L	15	06	4.0	35.5	28.5	43.0	19	27	14	81	<b>RED15/06LOMD</b>	400	315
L	15	08	6.0	35.5	28.5	43.0	19	27	17	85	<b>RED15/08LOMD</b>	400	315
L	15	10	8.0	36.5	29.5	44.0	19	27	19	83	<b>RED15/10LOMD</b>	400	315
L	15	12	10.0	36.5	29.5	44.0	19	27	22	83	<b>RED15/12LOMD</b>	400	315
L	18	06	4.0	35.0	28.0	43.0	24	32	14	109	<b>RED18/06LOMD</b>	400	315
L	18	08	6.0	35.0	28.0	43.0	24	32	17	111	<b>RED18/08LOMD</b>	400	315
L	18	10	8.0	36.0	29.0	44.0	24	32	19	110	<b>RED18/10LOMD</b>	400	315
L	18	12	10.0	36.0	29.0	44.0	24	32	22	110	<b>RED18/12LOMD</b>	400	315
L	18	15	12.0	37.0	30.0	45.0	24	32	27	115	<b>RED18/15LOMD</b>	400	315
L/S	18	16	12.0	40.0	31.5	49.5	27	32	30	138	<b>RED18L/16SOMD</b>	400	315
L	22	06	4.0	39.0	32.0	47.0	27	36	14	158	<b>RED22/06LOMD</b>	250	160
L	22	08	6.0	39.0	32.0	47.0	27	36	17	158	<b>RED22/08LOMD</b>	250	160
L	22	10	8.0	40.0	33.0	48.0	27	36	19	159	<b>RED22/10LOMD</b>	250	160
L	22	12	10.0	40.0	33.0	48.0	27	36	22	157	<b>RED22/12LOMD</b>	250	160
L	22	15	12.0	41.0	34.0	49.0	27	36	27	164	<b>RED22/15LOMD</b>	250	160
L/S	22	16	12.0	43.0	34.5	52.5	27	36	30	173	<b>RED22L/16SOMD</b>	250	160
L	22	18	15.0	41.0	33.5	50.0	27	36	32	167	<b>RED22/18LOMD</b>	250	160
L/S	22	20	16.0	45.0	34.5	56.0	32	36	36	203	<b>RED22L/20SOMD</b>	250	160
L	28	06	4.0	41.0	34.0	49.0	32	41	14	219	<b>RED28/06LOMD</b>	250	160
L	28	08	6.0	41.0	34.0	49.0	32	41	17	221	<b>RED28/08LOMD</b>	250	160
L	28	10	8.0	42.0	35.0	50.0	32	41	19	213	<b>RED28/10LOMD</b>	250	160
L	28	12	10.0	42.0	35.0	50.0	32	41	22	213	<b>RED28/12LOMD</b>	250	160
L	28	15	12.0	43.0	36.0	51.0	32	41	27	218	<b>RED28/15LOMD</b>	250	160
L/S	28	16	12.0	45.0	36.5	54.5	32	41	30	227	<b>RED28L/16SOMD</b>	250	160
L	28	18	15.0	43.0	35.5	52.0	32	41	32	220	<b>RED28/18LOMD</b>	250	160
L	28	22	19.0	45.0	37.5	54.0	32	41	36	222	<b>RED28/22LOMD</b>	250	160
L/S	28	25	20.0	50.0	38.0	62.0	41	41	46	300	<b>RED28L/25SOMD</b>	250	160
L	35	06	4.0	44.0	37.0	52.0	41	50	14	318	<b>RED35/06LOMD</b>	250	160
L	35	08	6.0	44.0	37.0	52.0	41	50	17	318	<b>RED35/08LOMD</b>	250	160
L	35	10	8.0	45.0	38.0	53.0	41	50	19	318	<b>RED35/10LOMD</b>	250	160
L	35	12	10.0	45.0	38.0	53.0	41	50	22	324	<b>RED35/12LOMD</b>	250	160
L	35	15	12.0	46.0	39.0	54.0	41	50	27	328	<b>RED35/15LOMD</b>	250	160
L	35	18	15.0	46.0	38.5	55.0	41	50	32	328	<b>RED35/18LOMD</b>	250	160
L	35	22	19.0	48.0	40.5	57.0	41	50	36	331	<b>RED35/22LOMD</b>	250	160

## RED Tube end reducer

EO 24° DKO swivel / EO 24° cone end



Series <sup>2)</sup> <sup>3)</sup> <sup>4)</sup>	D1	D2	D3	L1	L2	L3	S1	S2	S3	Weight g/1 piece	Order code*	PN (bar) <sup>1)</sup>	
												Steel	71
L/S	35	25	20.0	52.0	40.0	64.0	41	50	46	366	RED35L/25SOMD	250	160
L	35	28	24.0	48.0	40.5	57.0	41	50	41	327	RED35/28LOMD	250	160
L/S	35	30	25.0	55.0	41.5	68.0	46	50	50	435	RED35L/30SOMD	250	160
L	42	10	8.0	48.5	41.5	56.0	50	60	19	537	RED42/10LOMD	250	160
L	42	12	10.0	48.5	41.5	56.0	50	60	22	538	RED42/12LOMD	250	160
L	42	15	12.0	49.5	42.5	58.0	50	60	27	534	RED42/15LOMD	250	160
L	42	18	15.0	49.5	42.0	58.0	50	60	32	544	RED42/18LOMD	250	160
L	42	22	19.0	51.5	44.0	60.0	50	60	36	543	RED42/22LOMD	250	160
L	42	28	24.0	51.5	44.0	61.0	50	60	41	539	RED42/28LOMD	250	160
L/S	42	30	25.0	57.5	44.0	70.5	50	60	50	588	RED42L/30SOMD	250	160
L	42	35	30.0	53.5	43.0	65.0	50	60	50	541	RED42/35LOMD	250	160
L/S	42	38	32.0	61.5	45.5	76.0	55	60	60	701	RED42L/38SOMD	250	160

<sup>1)</sup> Pressure shown = item deliverable

<sup>2)</sup> LL = very light series; <sup>3)</sup> L = light series; <sup>4)</sup> S = heavy series

$$\frac{\text{PN (bar)}}{10} = \text{PN (MPa)}$$

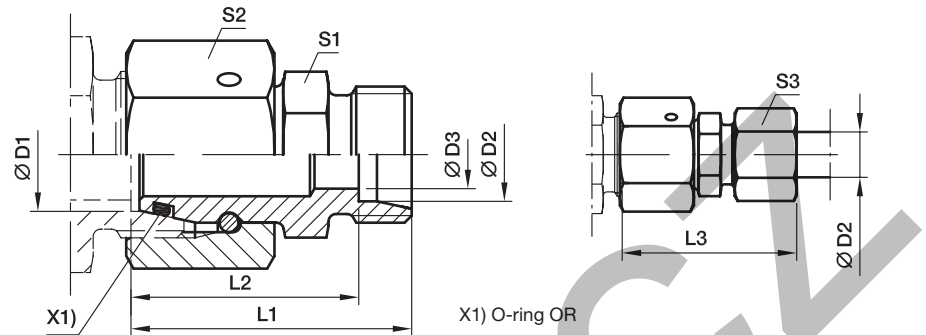
Delivery without nut and ring. Information on ordering complete fittings or alternative sealing materials see page 17.

Order code suffixes			
Material	Suffix surface and material	Example	Standard sealing material (no additional suffix needed)
Steel	CF	RED18/15LOMDCF	NBR
Stainless Steel	71	RED18/15LOMD71	VIT

\*Please add the **suffixes** below according to the material/surface required.

## RED Tube end reducer

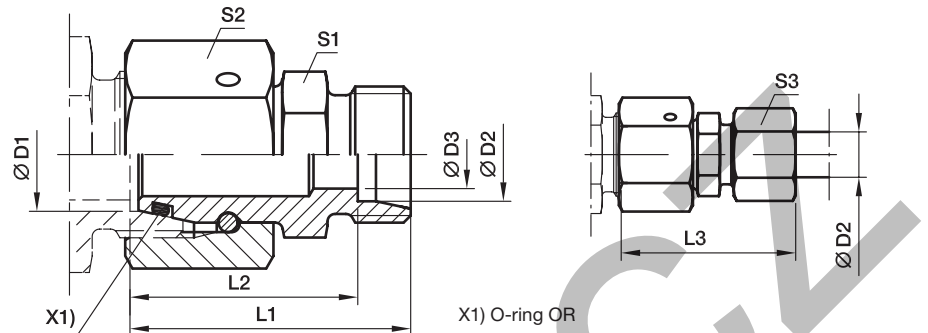
EO 24° DKO swivel / EO 24° cone end



Series <sup>3) 4)</sup>	D1	D2	D3	L1	L2	L3	S1	S2	S3	Weight g/1 piece	Order code*	PN (bar) <sup>1)</sup>	
												Steel	71
S	08	06	4	34.0	27.0	42	14	19	17	42	RED08/06SOMD	800	630
S	10	06	4	34.5	27.5	42	17	22	17	55	RED10/06SOMD	800	630
S	10	08	5	34.5	27.5	42	17	22	19	58	RED10/08SOMD	800	630
S	12	06	4	36.0	29.0	44	17	24	17	66	RED12/06SOMD	630	630
S	12	08	5	36.0	29.0	44	17	24	19	68	RED12/08SOMD	630	630
S	12	10	7	37.0	29.5	46	19	24	22	75	RED12/10SOMD	630	630
S	16	06	4	39.0	32.0	47	22	30	17	112	RED16/06SOMD	630	400
S	16	08	5	39.0	32.0	47	22	30	19	114	RED16/08SOMD	630	400
S	16	10	7	39.0	31.5	48	22	30	22	115	RED16/10SOMD	630	400
S	16	12	8	39.0	31.5	48	22	30	24	118	RED16/12SOMD	630	400
S/L	16	15	11	39.0	32.0	47	24	30	27	120	RED16S/15LOMD	400	315
S	20	06	4	43.0	36.0	51	27	36	17	172	RED20/06SOMD	420	400
S	20	08	5	43.0	36.0	51	27	36	19	174	RED20/08SOMD	420	400
S	20	10	7	43.0	35.5	52	27	36	22	174	RED20/10SOMD	420	400
S	20	12	8	43.0	35.5	52	27	36	24	177	RED20/12SOMD	420	400
S/L	20	15	12	43.0	36.0	51	27	36	27	173	RED20S/15LOMD	400	315
S	20	16	12	45.0	36.5	55	27	36	30	182	RED20/16SOMD	420	400
S/L	20	18	14	43.0	35.5	51	27	36	32	178	RED20S/18LOMD	400	315
S	25	06	4	45.5	38.5	53	32	46	17	294	RED25/06SOMD	420	400
S	25	08	5	45.5	38.5	53	32	46	19	295	RED25/08SOMD	420	400
S	25	10	7	45.5	38.0	54	32	46	22	296	RED25/10SOMD	420	400
S	25	12	8	45.5	38.0	54	32	46	24	299	RED25/12SOMD	420	400
S	25	16	12	47.5	39.0	57	32	46	30	304	RED25/16SOMD	420	400
S/L	25	18	15	45.5	38.0	54	32	46	32	299	RED25S/18LOMD	400	315
S	25	20	16	49.5	39.0	61	32	46	36	315	RED25/20SOMD	420	400
S/L	25	22	18	47.5	40.0	56	32	46	36	304	RED25S/22LOMD	250	160
S	30	06	4	51.0	44.0	59	41	50	17	412	RED30/06SOMD	420	400
S	30	08	5	51.0	44.0	59	41	50	19	404	RED30/08SOMD	420	400
S	30	10	7	51.0	43.5	60	41	50	22	405	RED30/10SOMD	420	400
S	30	12	8	51.0	43.5	60	41	50	24	405	RED30/12SOMD	420	400
S	30	16	12	53.0	44.5	63	41	50	30	412	RED30/16SOMD	420	400
S	30	20	16	55.0	44.5	66	41	50	36	421	RED30/20SOMD	420	400
S/L	30	22	19	53.0	45.5	61	41	50	36	406	RED30S/22LOMD	250	160
S	30	25	20	57.0	45.0	69	41	50	46	439	RED30/25SOMD	420	400
S/L	30	28	23	53.0	45.5	62	41	50	41	406	RED30S/28LOMD	250	160
S	38	06	4	54.5	47.5	62	50	60	17	556	RED38/06SOMD	420	315
S	38	08	5	54.5	47.5	62	50	60	19	581	RED38/08SOMD	420	315
S	38	10	7	54.5	47.0	63	50	60	22	579	RED38/10SOMD	420	315
S	38	12	8	54.5	47.0	63	50	60	24	577	RED38/12SOMD	420	315
S	38	16	12	56.5	48.0	66	50	60	30	580	RED38/16SOMD	420	315

## RED Tube end reducer

EO 24° DKO swivel / EO 24° cone end



Series <sup>3) 4)</sup>	D1 	D2 	D3	L1	L2	L3	S1	S2	S3	Weight g/1 piece	Order code*	PN (bar) <sup>1)</sup>	
												Steel	71
S	38	20	16	58.5	48.0	70	50	60	36	601	<b>RED38/20SOMD</b>	420	315
S	38	25	20	60.5	48.5	73	50	60	46	615	<b>RED38/25SOMD</b>	420	315
S/L	38	28	24	56.5	49.0	65	50	60	41	573	<b>RED38S/28LOMD</b>	250	160
S	38	30	25	62.5	49.0	76	50	60	50	625	<b>RED38/30SOMD</b>	420	315
S/L	38	35	30	58.5	48.0	69	50	60	50	588	<b>RED38S/35LOMD</b>	250	160

<sup>1)</sup> Pressure shown = item deliverable

<sup>3)</sup> L = light series; <sup>4)</sup> S = heavy series

$\frac{\text{PN (bar)}}{10} = \text{PN (MPa)}$

Delivery without nut and ring. Information on ordering complete fittings or alternative sealing materials see page 17.

Order code suffixes			
Material	Suffix surface and material	Example	Standard sealing material (no additional suffix needed)
Steel	CF	RED16/12SOMDCF	NBR
Stainless Steel	71	RED16/12SOMD71	VIT

\*Please add the **suffixes** below according to the material/surface required.