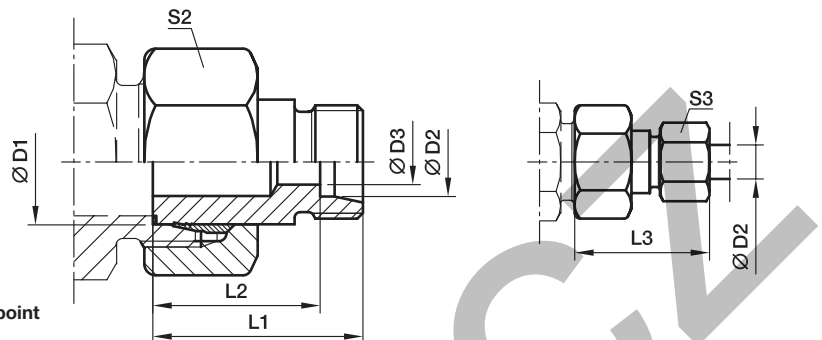


KOR Tube end reducer – Steel and Brass

EO stand pipe adjustable / EO 24° cone end

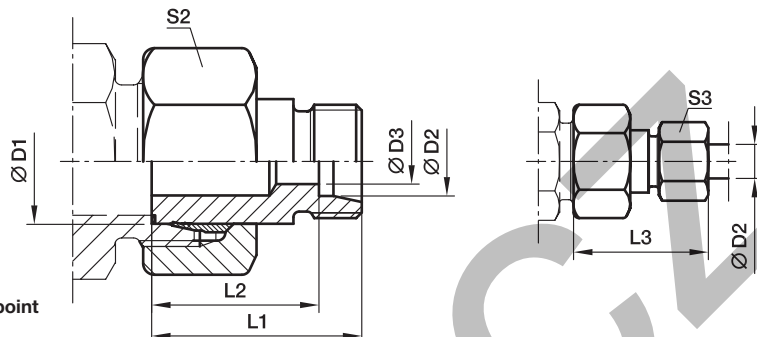


With pre-assembled nut and progressive ring for connection.
Final assembly (in appropriate body) at least 1/4 turn beyond the point of clearly perceptible resistance.

| Series ^{2) 3)} | D1 | D2 | D3 | L1 | L2 | L3 | S2 | S3 | Weight g/1 piece | Order code* | PN (bar) ¹⁾ | |
|----------------------------|----|----|------|------|------|----|----|----|---------------------|----------------|------------------------|-----|
| | | | | | | | | | | | Steel | MS |
| LL | 06 | 04 | 3.0 | 28.5 | 24.5 | 34 | 12 | 10 | 16 | KOR06/04LLOMD | 100 | |
| LL | 08 | 04 | 3.0 | 28.5 | 24.5 | 34 | 14 | 10 | 16 | KOR08/04LLOMD | 100 | |
| LL | 08 | 06 | 4.5 | 23.0 | 17.5 | 29 | 14 | 12 | 14 | KOR08/06LLOMD | 100 | |
| L/LL | 06 | 04 | 3.0 | 28.5 | 24.5 | 34 | 14 | 10 | 16 | KOR06L/04LLOMD | 100 | |
| L/LL | 08 | 04 | 3.0 | 28.5 | 24.5 | 34 | 17 | 10 | 16 | KOR08L/04LLOMD | 100 | |
| L | 08 | 06 | 4.0 | 30.5 | 23.5 | 38 | 17 | 14 | 27 | KOR08/06LOMD | 315 | 200 |
| L/LL | 10 | 04 | 3.0 | 28.5 | 24.5 | 34 | 19 | 10 | 32 | KOR10L/04LLOMD | 100 | |
| L | 10 | 06 | 4.0 | 30.5 | 23.5 | 38 | 19 | 14 | 34 | KOR10/06LOMD | 315 | 200 |
| L | 10 | 08 | 6.0 | 30.5 | 23.5 | 38 | 19 | 17 | 35 | KOR10/08LOMD | 315 | 200 |
| L/LL | 12 | 04 | 3.0 | 28.5 | 24.5 | 34 | 22 | 10 | 41 | KOR12L/04LLOMD | 100 | |
| L | 12 | 06 | 4.0 | 30.5 | 23.5 | 38 | 22 | 14 | 45 | KOR12/06LOMD | 315 | 200 |
| L | 12 | 08 | 6.0 | 30.5 | 23.5 | 38 | 22 | 17 | 45 | KOR12/08LOMD | 315 | 200 |
| L | 12 | 10 | 8.0 | 31.5 | 24.5 | 39 | 22 | 19 | 46 | KOR12/10LOMD | 315 | 200 |
| L | 15 | 06 | 4.0 | 30.5 | 23.5 | 38 | 27 | 14 | 68 | KOR15/06LOMD | 315 | 200 |
| L | 15 | 08 | 6.0 | 30.5 | 23.5 | 38 | 27 | 17 | 69 | KOR15/08LOMD | 315 | 200 |
| L | 15 | 10 | 8.0 | 31.5 | 24.5 | 39 | 27 | 19 | 70 | KOR15/10LOMD | 315 | 200 |
| L | 15 | 12 | 10.0 | 31.5 | 24.5 | 39 | 27 | 22 | 70 | KOR15/12LOMD | 315 | 200 |
| L | 18 | 06 | 4.0 | 31.5 | 24.5 | 39 | 32 | 14 | 100 | KOR18/06LOMD | 315 | 200 |
| L | 18 | 08 | 6.0 | 31.5 | 24.5 | 39 | 32 | 17 | 102 | KOR18/08LOMD | 315 | 200 |
| L | 18 | 10 | 8.0 | 32.5 | 25.5 | 40 | 32 | 19 | 102 | KOR18/10LOMD | 315 | 200 |
| L | 18 | 12 | 10.0 | 32.5 | 25.5 | 40 | 32 | 22 | 101 | KOR18/12LOMD | 315 | 200 |
| L | 18 | 15 | 12.0 | 33.5 | 26.5 | 42 | 32 | 27 | 106 | KOR18/15LOMD | 315 | 200 |
| L | 22 | 06 | 4.0 | 32.5 | 25.5 | 40 | 36 | 14 | 137 | KOR22/06LOMD | 160 | 100 |
| L | 22 | 08 | 6.0 | 32.5 | 25.5 | 40 | 36 | 17 | 136 | KOR22/08LOMD | 160 | 100 |
| L | 22 | 10 | 8.0 | 33.5 | 26.5 | 41 | 36 | 19 | 138 | KOR22/10LOMD | 160 | 100 |
| L | 22 | 12 | 10.0 | 33.5 | 26.5 | 41 | 36 | 22 | 138 | KOR22/12LOMD | 160 | 100 |
| L | 22 | 15 | 12.0 | 34.5 | 27.5 | 43 | 36 | 27 | 143 | KOR22/15LOMD | 160 | 100 |
| L | 22 | 18 | 15.0 | 34.5 | 27.0 | 43 | 36 | 32 | 143 | KOR22/18LOMD | 160 | 100 |
| L | 28 | 06 | 4.0 | 33.5 | 26.5 | 41 | 41 | 14 | 177 | KOR28/06LOMD | 160 | 100 |
| L | 28 | 08 | 6.0 | 33.5 | 26.5 | 41 | 41 | 17 | 179 | KOR28/08LOMD | 160 | 100 |
| L | 28 | 10 | 8.0 | 34.5 | 27.5 | 42 | 41 | 19 | 180 | KOR28/10LOMD | 160 | 100 |
| L | 28 | 12 | 10.0 | 34.5 | 27.5 | 42 | 41 | 22 | 180 | KOR28/12LOMD | 160 | 100 |
| L | 28 | 15 | 12.0 | 35.5 | 28.5 | 44 | 41 | 27 | 185 | KOR28/15LOMD | 160 | 100 |
| L | 28 | 18 | 15.0 | 35.5 | 28.0 | 44 | 41 | 32 | 184 | KOR28/18LOMD | 160 | 100 |
| L | 28 | 22 | 19.0 | 37.5 | 30.0 | 46 | 41 | 36 | 188 | KOR28/22LOMD | 160 | 100 |
| L | 35 | 06 | 4.0 | 38.5 | 31.5 | 46 | 50 | 14 | 302 | KOR35/06LOMD | 160 | |
| L | 35 | 08 | 6.0 | 38.5 | 31.5 | 46 | 50 | 17 | 306 | KOR35/08LOMD | 160 | |
| L | 35 | 10 | 8.0 | 39.5 | 32.5 | 47 | 50 | 19 | 305 | KOR35/10LOMD | 160 | 100 |
| L | 35 | 12 | 10.0 | 39.5 | 32.5 | 47 | 50 | 22 | 304 | KOR35/12LOMD | 160 | 100 |
| L | 35 | 15 | 12.0 | 40.5 | 33.5 | 49 | 50 | 27 | 308 | KOR35/15LOMD | 160 | 100 |
| L | 35 | 18 | 15.0 | 40.5 | 33.0 | 49 | 50 | 32 | 316 | KOR35/18LOMD | 160 | 100 |
| L | 35 | 22 | 19.0 | 42.5 | 35.0 | 51 | 50 | 36 | 310 | KOR35/22LOMD | 160 | 100 |
| L | 35 | 28 | 24.0 | 42.5 | 35.0 | 52 | 50 | 41 | 305 | KOR35/28LOMD | 160 | 100 |

KOR Tube end reducer – Steel and Brass

EO stand pipe adjustable / EO 24° cone end



With pre-assembled nut and progressive ring for connection.
Final assembly (in appropriate body) at least 1/4 turn beyond the point of clearly perceptible resistance.

| Series ^{2) 3)} | D1 | D2 | D3 | L1 | L2 | L3 | S2 | S3 | Weight g/1 piece | Order code* | PN (bar) ¹⁾ | |
|----------------------------|----|----|------|------|------|----|----|----|---------------------|---------------------|------------------------|-----|
| | | | | | | | | | | | Steel | MS |
| L | 42 | 10 | 8.0 | 40.5 | 33.5 | 48 | 60 | 19 | 455 | KOR42/10LOMD | 160 | |
| L | 42 | 12 | 10.0 | 40.5 | 33.5 | 48 | 60 | 22 | 438 | KOR42/12LOMD | 160 | |
| L | 42 | 15 | 12.0 | 41.5 | 34.5 | 50 | 60 | 27 | 438 | KOR42/15LOMD | 160 | 100 |
| L | 42 | 18 | 15.0 | 41.5 | 34.0 | 50 | 60 | 32 | 449 | KOR42/18LOMD | 160 | 100 |
| L | 42 | 22 | 19.0 | 43.5 | 36.0 | 52 | 60 | 36 | 461 | KOR42/22LOMD | 160 | 100 |
| L | 42 | 28 | 24.0 | 43.5 | 36.0 | 53 | 60 | 41 | 443 | KOR42/28LOMD | 160 | 100 |
| L | 42 | 35 | 30.0 | 45.5 | 35.0 | 57 | 60 | 50 | 444 | KOR42/35LOMD | 160 | 100 |

¹⁾ Pressure shown = item deliverable

²⁾ LL = very light series; ³⁾ L = light series

$$\frac{PN \text{ (bar)}}{10} = PN \text{ (MPa)}$$

The use of the swivel nut fitting RED is to be preferred (see page I35).

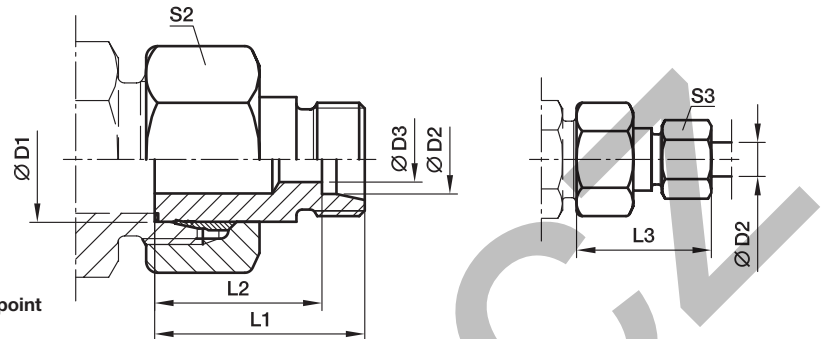
Delivery without nut and ring. Information on ordering complete fittings see page I7.

| Order code suffixes | | |
|---------------------|-----------------------------|----------------|
| Material | Suffix surface and material | Example |
| Steel | CF | KOR18/15LOMDCF |
| Brass | MS | KOR18/15LOMDMS |

*Please add the **suffixes** below according to the material/surface required.

KOR Tube end reducer – Steel and Brass

EO stand pipe adjustable / EO 24° cone end



With pre-assembled nut and progressive ring for connection.
Final assembly (in appropriate body) at least 1/4 turn beyond the point of clearly perceptible resistance.

| Series | D1 | D2 | D3 | L1 | L2 | L3 | S2 | S3 | Weight g/1 piece | Order code* | PN (bar) ¹⁾ | |
|-----------------|----|----|----|----|------|----|----|----|---------------------|--------------|------------------------|-----|
| | | | | | | | | | | | Steel | MS |
| S ⁴⁾ | 08 | 06 | 4 | 32 | 25.0 | 40 | 19 | 17 | 37 | KOR08/06SOMD | 630 | 400 |
| | 10 | 06 | 4 | 33 | 26.0 | 41 | 22 | 17 | 53 | KOR10/06SOMD | 630 | 400 |
| | 10 | 08 | 5 | 33 | 26.0 | 41 | 22 | 19 | 55 | KOR10/08SOMD | 630 | 400 |
| | 12 | 06 | 4 | 34 | 27.0 | 42 | 24 | 17 | 61 | KOR12/06SOMD | 630 | 400 |
| | 12 | 08 | 5 | 34 | 27.0 | 42 | 24 | 19 | 63 | KOR12/08SOMD | 630 | 400 |
| | 12 | 10 | 7 | 34 | 26.5 | 43 | 24 | 22 | 64 | KOR12/10SOMD | 630 | 400 |
| | 16 | 06 | 4 | 36 | 29.0 | 44 | 30 | 17 | 106 | KOR16/06SOMD | 400 | 250 |
| | 16 | 08 | 5 | 36 | 29.0 | 44 | 30 | 19 | 108 | KOR16/08SOMD | 400 | 250 |
| | 16 | 10 | 7 | 36 | 28.5 | 45 | 30 | 22 | 114 | KOR16/10SOMD | 400 | 250 |
| | 16 | 12 | 8 | 36 | 28.5 | 45 | 30 | 24 | 115 | KOR16/12SOMD | 400 | 250 |
| | 20 | 06 | 4 | 41 | 34.0 | 49 | 36 | 17 | 175 | KOR20/06SOMD | 400 | 250 |
| | 20 | 08 | 5 | 41 | 34.0 | 49 | 36 | 19 | 177 | KOR20/08SOMD | 400 | 250 |
| | 20 | 10 | 7 | 41 | 33.5 | 50 | 36 | 22 | 178 | KOR20/10SOMD | 400 | 250 |
| | 20 | 12 | 8 | 41 | 33.5 | 50 | 36 | 24 | 180 | KOR20/12SOMD | 400 | 250 |
| | 20 | 16 | 12 | 43 | 34.5 | 53 | 36 | 30 | 182 | KOR20/16SOMD | 400 | 250 |
| | 25 | 06 | 4 | 44 | 37.0 | 52 | 46 | 17 | 306 | KOR25/06SOMD | 400 | |
| | 25 | 08 | 5 | 44 | 37.0 | 52 | 46 | 19 | 311 | KOR25/08SOMD | 400 | 250 |
| | 25 | 10 | 7 | 44 | 36.5 | 53 | 46 | 22 | 313 | KOR25/10SOMD | 400 | 250 |
| | 25 | 12 | 8 | 44 | 36.5 | 53 | 46 | 24 | 317 | KOR25/12SOMD | 400 | 250 |
| | 25 | 16 | 12 | 45 | 36.5 | 55 | 46 | 30 | 315 | KOR25/16SOMD | 400 | 250 |
| | 25 | 20 | 16 | 48 | 37.5 | 59 | 46 | 36 | 328 | KOR25/20SOMD | 400 | 250 |
| | 30 | 06 | 4 | 46 | 39.0 | 54 | 50 | 17 | 373 | KOR30/06SOMD | 400 | |
| | 30 | 08 | 5 | 46 | 39.0 | 54 | 50 | 19 | 376 | KOR30/08SOMD | 400 | |
| | 30 | 10 | 7 | 46 | 38.5 | 55 | 50 | 22 | 376 | KOR30/10SOMD | 400 | 250 |
| | 30 | 12 | 8 | 46 | 38.5 | 55 | 50 | 24 | 377 | KOR30/12SOMD | 400 | 250 |
| | 30 | 16 | 12 | 48 | 39.5 | 58 | 50 | 30 | 381 | KOR30/16SOMD | 400 | 250 |
| | 30 | 20 | 16 | 50 | 39.5 | 61 | 50 | 36 | 386 | KOR30/20SOMD | 400 | 250 |
| | 30 | 25 | 20 | 52 | 40.0 | 64 | 50 | 46 | 406 | KOR30/25SOMD | 400 | 250 |
| | 38 | 06 | 4 | 50 | 43.0 | 58 | 60 | 17 | 571 | KOR38/06SOMD | 315 | |
| | 38 | 08 | 5 | 50 | 43.0 | 58 | 60 | 19 | 567 | KOR38/08SOMD | 315 | |
| | 38 | 10 | 7 | 50 | 42.5 | 59 | 60 | 22 | 571 | KOR38/10SOMD | 315 | 200 |
| | 38 | 12 | 8 | 50 | 42.5 | 59 | 60 | 24 | 571 | KOR38/12SOMD | 315 | 200 |
| | 38 | 16 | 12 | 52 | 43.5 | 62 | 60 | 30 | 580 | KOR38/16SOMD | 315 | 200 |
| | 38 | 20 | 16 | 54 | 43.5 | 65 | 60 | 36 | 593 | KOR38/20SOMD | 315 | 200 |
| | 38 | 25 | 20 | 56 | 44.0 | 68 | 60 | 46 | 605 | KOR38/25SOMD | 315 | 200 |
| | 38 | 30 | 25 | 58 | 44.5 | 71 | 60 | 50 | 614 | KOR38/30SOMD | 315 | 200 |

¹⁾ Pressure shown = item deliverable

⁴⁾ S = heavy series

$\frac{\text{PN (bar)}}{10} = \text{PN (MPa)}$

The use of the swivel nut fitting RED is to be preferred (see page I35).

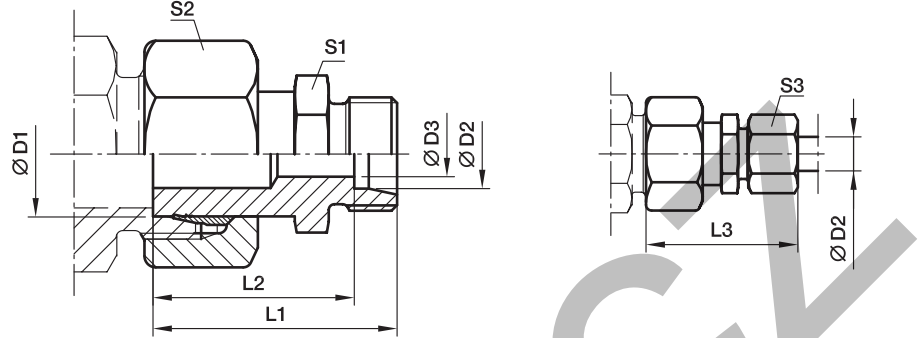
Delivery without nut and ring. Information on ordering complete fittings see page I7.

*Please add the suffixes below according to the material/surface required.

| Order code suffixes | | |
|---------------------|-----------------------------|----------------|
| Material | Suffix surface and material | Example |
| Steel | CF | KOR16/10SOMDCF |
| Brass | MS | KOR16/10SOMDMS |

KOR Tube end reducer – Stainless steel

EO stand pipe adjustable / EO 24° cone end



With pre-assembled nut and progressive ring for connection.
Final assembly (in appropriate body) at least 1/4 turn beyond the point of clearly perceptible resistance.

| Series | D1 | D2 | D3 | L1 | L2 | L3 | S1 | S2 | S3 | Weight g/1 piece | Order code* | PN (bar) ¹⁾ | |
|-----------------|----|----|------|------|------|----|----|----|-----|---------------------|----------------|------------------------|-----|
| | | | | | | | | | | | | 71 | 71 |
| L ³⁾ | 08 | 06 | 4 | 33.5 | 26.5 | 41 | 12 | 17 | 14 | 32 | KOR08/06LOMD71 | 315 | 315 |
| | 10 | 06 | 4 | 34.5 | 27.5 | 42 | 12 | 19 | 14 | 39 | KOR10/06LOMD71 | 315 | 315 |
| | 10 | 08 | 6 | 35.5 | 28.5 | 43 | 14 | 19 | 17 | 40 | KOR10/08LOMD71 | 315 | 315 |
| | 12 | 06 | 4 | 36.5 | 29.5 | 44 | 14 | 22 | 14 | 49 | KOR12/06LOMD71 | 315 | 315 |
| | 12 | 08 | 6 | 36.5 | 29.5 | 44 | 14 | 22 | 17 | 53 | KOR12/08LOMD71 | 315 | 315 |
| | 12 | 10 | 8 | 37.5 | 30.5 | 45 | 17 | 22 | 19 | 55 | KOR12/10LOMD71 | 315 | 315 |
| | 15 | 06 | 4 | 37.0 | 30.0 | 45 | 17 | 27 | 14 | 79 | KOR15/06LOMD71 | 315 | 315 |
| | 15 | 08 | 6 | 37.0 | 30.0 | 45 | 17 | 27 | 17 | 78 | KOR15/08LOMD71 | 315 | 315 |
| | 15 | 10 | 8 | 38.0 | 31.0 | 46 | 17 | 27 | 19 | 85 | KOR15/10LOMD71 | 315 | 315 |
| | 15 | 12 | 10 | 39.0 | 32.0 | 47 | 19 | 27 | 22 | 84 | KOR15/12LOMD71 | 315 | 315 |
| | 18 | 06 | 4 | 37.5 | 30.5 | 45 | 19 | 32 | 14 | 112 | KOR18/06LOMD71 | 315 | 315 |
| | 18 | 08 | 6 | 37.5 | 30.5 | 45 | 19 | 32 | 17 | 113 | KOR18/08LOMD71 | 315 | 315 |
| | 18 | 10 | 8 | 38.5 | 31.5 | 46 | 19 | 32 | 19 | 113 | KOR18/10LOMD71 | 315 | 315 |
| | 18 | 12 | 10 | 38.5 | 31.5 | 46 | 19 | 32 | 22 | 122 | KOR18/12LOMD71 | 315 | 315 |
| | 18 | 15 | 12 | 39.5 | 32.5 | 48 | 24 | 32 | 27 | 131 | KOR18/15LOMD71 | 315 | 315 |
| | 22 | 06 | 4 | 38.5 | 31.5 | 46 | 24 | 36 | 14 | 154 | KOR22/06LOMD71 | 160 | 160 |
| | 22 | 08 | 6 | 38.5 | 31.5 | 46 | 24 | 36 | 17 | 155 | KOR22/08LOMD71 | 160 | 160 |
| | 22 | 10 | 8 | 39.5 | 32.5 | 47 | 24 | 36 | 19 | 156 | KOR22/10LOMD71 | 160 | 160 |
| | 22 | 12 | 10 | 39.5 | 32.5 | 47 | 24 | 36 | 22 | 157 | KOR22/12LOMD71 | 160 | 160 |
| | 22 | 15 | 12 | 40.5 | 33.5 | 49 | 24 | 36 | 27 | 160 | KOR22/15LOMD71 | 160 | 160 |
| | 22 | 18 | 15 | 41.5 | 34.0 | 50 | 27 | 36 | 32 | 173 | KOR22/18LOMD71 | 160 | 160 |
| | 28 | 06 | 4 | 41.0 | 34.0 | 49 | 30 | 41 | 14 | 220 | KOR28/06LOMD71 | 160 | 160 |
| | 28 | 08 | 6 | 41.0 | 34.0 | 49 | 30 | 41 | 17 | 217 | KOR28/08LOMD71 | 160 | 160 |
| | 28 | 10 | 8 | 42.0 | 35.0 | 50 | 30 | 41 | 19 | 211 | KOR28/10LOMD71 | 160 | 160 |
| | 28 | 12 | 10 | 42.0 | 35.0 | 50 | 30 | 41 | 22 | 219 | KOR28/12LOMD71 | 160 | 160 |
| | 28 | 15 | 12 | 43.0 | 36.0 | 51 | 30 | 41 | 27 | 188 | KOR28/15LOMD71 | 160 | 160 |
| | 28 | 18 | 15 | 43.0 | 35.5 | 52 | 30 | 41 | 32 | 218 | KOR28/18LOMD71 | 160 | 160 |
| | 28 | 22 | 19 | 45.0 | 37.5 | 54 | 32 | 41 | 36 | 228 | KOR28/22LOMD71 | 160 | 160 |
| | 35 | 06 | 4 | 48.5 | 41.5 | 56 | 36 | 50 | 14 | 307 | KOR35/06LOMD71 | 160 | 160 |
| | 35 | 08 | 6 | 48.5 | 41.5 | 56 | 36 | 50 | 17 | 313 | KOR35/08LOMD71 | 160 | 160 |
| | 35 | 10 | 8 | 49.5 | 42.5 | 57 | 36 | 50 | 19 | 370 | KOR35/10LOMD71 | 160 | 160 |
| | 35 | 12 | 10 | 49.5 | 42.5 | 57 | 36 | 50 | 22 | 371 | KOR35/12LOMD71 | 160 | 160 |
| | 35 | 15 | 12 | 50.5 | 43.5 | 59 | 36 | 50 | 27 | 380 | KOR35/15LOMD71 | 160 | 160 |
| | 35 | 18 | 15 | 50.5 | 43.0 | 59 | 36 | 50 | 32 | 382 | KOR35/18LOMD71 | 160 | 160 |
| | 35 | 22 | 19 | 52.5 | 45.0 | 61 | 36 | 50 | 36 | 380 | KOR35/22LOMD71 | 160 | 160 |
| | 35 | 28 | 24 | 52.5 | 45.0 | 62 | 41 | 50 | 41 | 400 | KOR35/28LOMD71 | 160 | 160 |
| 42 | 10 | 8 | 52.5 | 45.5 | 60 | 46 | 60 | 19 | 551 | KOR42/10LOMD71 | 160 | 160 | |
| 42 | 12 | 10 | 52.5 | 45.5 | 60 | 46 | 60 | 22 | 551 | KOR42/12LOMD71 | 160 | 160 | |
| 42 | 15 | 12 | 53.5 | 46.5 | 62 | 46 | 60 | 27 | 687 | KOR42/15LOMD71 | 160 | 160 | |
| 42 | 18 | 15 | 53.5 | 46.0 | 62 | 46 | 60 | 32 | 555 | KOR42/18LOMD71 | 160 | 160 | |
| 42 | 22 | 19 | 55.5 | 48.0 | 64 | 46 | 60 | 36 | 568 | KOR42/22LOMD71 | 160 | 160 | |
| 42 | 28 | 24 | 55.5 | 48.0 | 65 | 46 | 60 | 41 | 559 | KOR42/28LOMD71 | 160 | 160 | |
| 42 | 35 | 30 | 57.5 | 47.0 | 69 | 46 | 60 | 50 | 588 | KOR42/35LOMD71 | 160 | 160 | |

¹⁾ Pressure shown = item deliverable

³⁾ L = light series

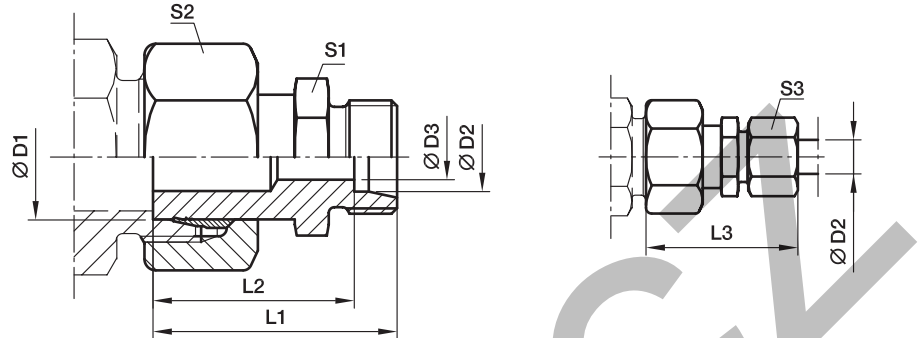
$$\frac{\text{PN (bar)}}{10} = \text{PN (MPa)}$$

The use of the swivel nut fitting RED is to be preferred (see page I35).

Delivery without nut and ring. Information on ordering complete fittings see page I7.

KOR Tube end reducer – Stainless steel

EO stand pipe adjustable / EO 24° cone end



With pre-assembled nut and progressive ring for connection.
Final assembly (in appropriate body) at least 1/4 turn beyond the point of clearly perceptible resistance.

| Series | D1 | D2 | D3 | L1 | L2 | L3 | S1 | S2 | S3 | Weight g/1 piece | Order code* | PN (bar) ¹⁾ |
|-----------------|----|----|------|------|------|----|----|----|-----|---------------------|----------------|------------------------|
| | | | | | | | | | | | | 71 |
| S ⁴⁾ | 08 | 06 | 4 | 36.5 | 29.5 | 44 | 14 | 19 | 17 | 16 | KOR08/06SOMD71 | 630 |
| | 10 | 06 | 4 | 38.5 | 31.5 | 46 | 14 | 22 | 17 | 16 | KOR10/06SOMD71 | 630 |
| | 10 | 08 | 5 | 38.5 | 31.5 | 46 | 17 | 22 | 19 | 14 | KOR10/08SOMD71 | 630 |
| | 12 | 06 | 4 | 38.5 | 31.5 | 46 | 14 | 24 | 17 | 16 | KOR12/06SOMD71 | 630 |
| | 12 | 08 | 5 | 38.5 | 31.5 | 46 | 17 | 24 | 19 | 16 | KOR12/08SOMD71 | 630 |
| | 12 | 10 | 7 | 39.5 | 32.0 | 48 | 19 | 24 | 22 | 27 | KOR12/10SOMD71 | 630 |
| | 16 | 06 | 4 | 41.0 | 34.0 | 49 | 17 | 30 | 17 | 44 | KOR16/06SOMD71 | 400 |
| | 16 | 08 | 5 | 41.0 | 34.0 | 49 | 17 | 30 | 19 | 45 | KOR16/08SOMD71 | 400 |
| | 16 | 10 | 7 | 42.0 | 34.5 | 51 | 19 | 30 | 22 | 46 | KOR16/10SOMD71 | 400 |
| | 16 | 12 | 8 | 42.0 | 34.5 | 51 | 22 | 30 | 24 | 68 | KOR16/12SOMD71 | 400 |
| | 20 | 06 | 4 | 46.0 | 39.0 | 54 | 22 | 36 | 17 | 70 | KOR20/06SOMD71 | 400 |
| | 20 | 08 | 5 | 46.0 | 39.0 | 54 | 22 | 36 | 19 | 70 | KOR20/08SOMD71 | 400 |
| | 20 | 10 | 7 | 46.0 | 38.5 | 55 | 22 | 36 | 22 | 100 | KOR20/10SOMD71 | 400 |
| | 20 | 12 | 8 | 46.0 | 38.5 | 55 | 22 | 36 | 24 | 101 | KOR20/12SOMD71 | 400 |
| | 20 | 16 | 12 | 49.0 | 40.5 | 59 | 27 | 36 | 30 | 101 | KOR20/16SOMD71 | 400 |
| | 25 | 06 | 4 | 50.5 | 43.5 | 58 | 27 | 46 | 17 | 106 | KOR25/06SOMD71 | 400 |
| | 25 | 08 | 5 | 50.5 | 43.5 | 58 | 27 | 46 | 19 | 136 | KOR25/08SOMD71 | 400 |
| | 25 | 10 | 7 | 50.5 | 43.0 | 59 | 27 | 46 | 22 | 136 | KOR25/10SOMD71 | 400 |
| | 25 | 12 | 8 | 50.5 | 43.0 | 59 | 27 | 46 | 24 | 138 | KOR25/12SOMD71 | 400 |
| | 25 | 16 | 12 | 52.5 | 44.0 | 62 | 27 | 46 | 30 | 143 | KOR25/16SOMD71 | 400 |
| 25 | 20 | 16 | 54.5 | 44.0 | 66 | 32 | 46 | 36 | 143 | KOR25/20SOMD71 | 400 | |
| 30 | 06 | 4 | 53.0 | 46.0 | 61 | 32 | 50 | 17 | 177 | KOR30/06SOMD71 | 400 | |
| 30 | 08 | 5 | 53.0 | 46.0 | 61 | 32 | 50 | 19 | 179 | KOR30/08SOMD71 | 400 | |
| 30 | 10 | 7 | 53.0 | 45.5 | 62 | 32 | 50 | 22 | 180 | KOR30/10SOMD71 | 400 | |
| 30 | 12 | 8 | 53.0 | 45.5 | 62 | 32 | 50 | 24 | 180 | KOR30/12SOMD71 | 400 | |
| 30 | 16 | 12 | 55.0 | 46.5 | 65 | 32 | 50 | 30 | 184 | KOR30/16SOMD71 | 400 | |
| 30 | 20 | 16 | 57.0 | 46.5 | 68 | 32 | 50 | 36 | 188 | KOR30/20SOMD71 | 400 | |
| 30 | 25 | 20 | 60.0 | 48.0 | 72 | 41 | 50 | 46 | 302 | KOR30/25SOMD71 | 400 | |
| 38 | 06 | 4 | 60.0 | 53.0 | 68 | 41 | 60 | 17 | 306 | KOR38/06SOMD71 | 315 | |
| 38 | 08 | 5 | 60.0 | 53.0 | 68 | 41 | 60 | 19 | 305 | KOR38/08SOMD71 | 315 | |
| 38 | 10 | 7 | 60.0 | 52.5 | 69 | 41 | 60 | 22 | 304 | KOR38/10SOMD71 | 315 | |
| 38 | 12 | 8 | 60.0 | 52.5 | 69 | 41 | 60 | 24 | 308 | KOR38/12SOMD71 | 315 | |
| 38 | 16 | 12 | 62.0 | 53.5 | 72 | 41 | 60 | 30 | 310 | KOR38/16SOMD71 | 315 | |
| 38 | 20 | 16 | 64.0 | 53.5 | 75 | 41 | 60 | 36 | 305 | KOR38/20SOMD71 | 315 | |
| 38 | 25 | 20 | 66.0 | 54.0 | 78 | 41 | 60 | 46 | 455 | KOR38/25SOMD71 | 315 | |
| 38 | 30 | 25 | 69.0 | 55.5 | 82 | 46 | 60 | 50 | 438 | KOR38/30SOMD71 | 315 | |

¹⁾ Pressure shown = item deliverable

⁴⁾ S = heavy series

$\frac{\text{PN (bar)}}{10} = \text{PN (MPa)}$

The use of the swivel nut fitting RED is to be preferred (see page I35).

Delivery without nut and ring. Information on ordering complete fittings see page I7.