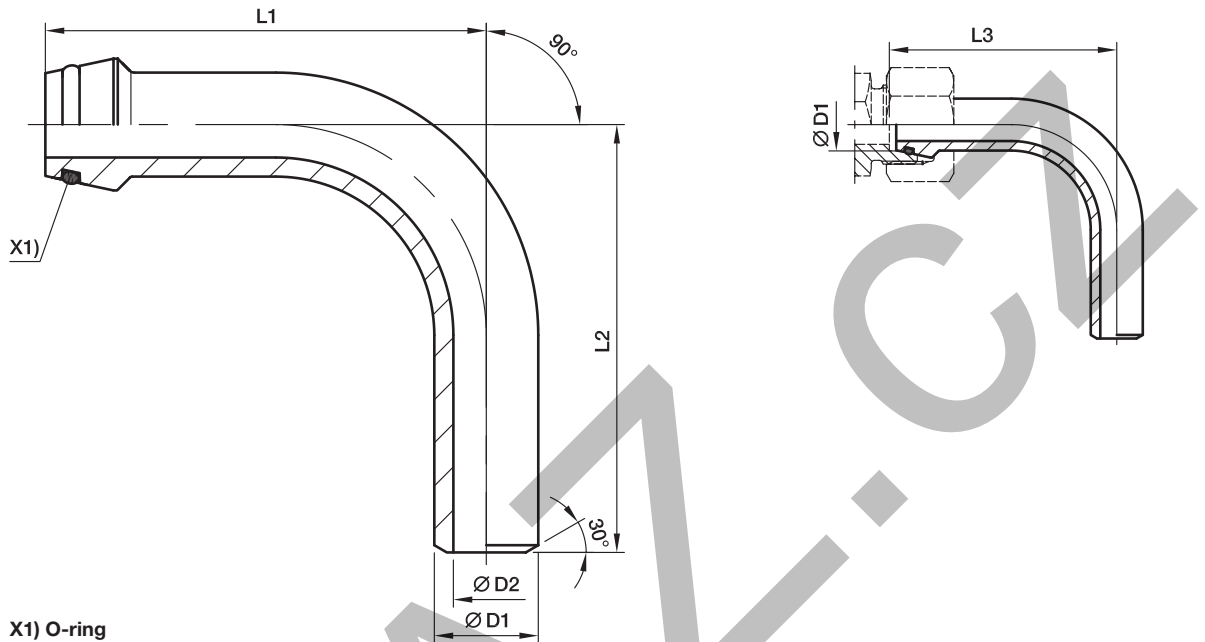


## SKA-RB Tube bend weld nipple

EO 24° O-ring weld nipple / butt weld



X1) O-ring

Series	D1	D2	L1	L2	L3	recommended tube	Weight g/1 piece	Order code	PN (bar) <sup>1)</sup>	
									Steel	Stainless Steel
S <sup>4)</sup>	10	6	49	45	50.0	10×2.0	38	<b>SKA10X2RB</b>	460	447
	12	7	51	50	52.0	12×2.5	50	<b>SKA12X2.5RB</b>	476	463
	16	10	67	60	68.5	16×3.0	105	<b>SKA16X3RB</b>	400	400
	20	12	85	65	87.0	20×4.0	217	<b>SKA20X4RB</b>	400	400
	25	17	85	85	88.5	25×4.0	295	<b>SKA25X4RB</b>	379	369
	25	15	85	85	88.5	25×5.0	353	<b>SKA25X5RB</b>	400	400
	30	22	111	110	116.0	30×4.0	469	<b>SKA30X4RB</b>	323	314
	30	20	111	110	116.0	30×5.0	568	<b>SKA30X5RB</b>	393	383
	38	28	136	130	143.5	38×5.0	876	<b>SKA38X5RB</b>	315	315
	38	26	136	130	143.5	38×6.0	1045	<b>SKA38X6RB</b>	315	315

<sup>1)</sup> Pressure shown = item deliverable

<sup>4)</sup> S = heavy series

$\frac{\text{PN (bar)}}{10} = \text{PN (MPa)}$

\*Please add the **suffixes** below according to the material/surface required.

Order code suffixes			
Material	Suffix surface and material	Example	Standard sealing material (no additional suffix needed)
Steel		SKA16X3RB	NBR
Stainless Steel	71	SKA16X3RB71	VIT