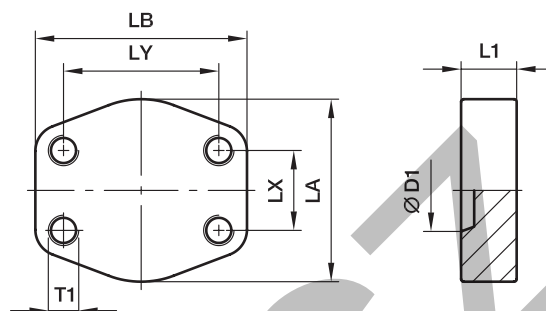


PCCFF SAE Closed counter flange

SAE Closed counter flange
(ISO 6162-1/-2)



3000 PSI Series

Nom. flange size		D1	L1	LA	LB	LX	LY	T1		Weight (steel) kg/piece	Order code*	PN (bar) ¹⁾	
SAE (in.)	ISO (DN)							(metr.)	(unc.)			S	SS
1/2	13	13	16	47	58	17.5	38.1	M 8	5/16	0.26	PCCFF32	345	345
3/4	19	16	18	49	66	22.3	47.6	M10	3/8	0.37	PCCFF33	345	345
1	25	25	19	53	71	26.2	52.4	M10	3/8	0.45	PCCFF34	345	345
1 1/4	32	25	21	69	80	30.2	58.7	M10	7/16	0.73	PCCFF35	276	276
1 1/2	38	34	25	77	95	35.7	69.9	M12	1/2	1.50	PCCFF36	207	207
2	51	43	25	89	103	42.9	77.8	M12	1/2	1.40	PCCFF38	207	207
2 1/2	64	61	25	101	116	50.8	88.9	M12	1/2	1.83	PCCFF310	172	172
3	76	60	27	124	136	61.9	106.4	M16	5/8	2.80	PCCFF312	138	138
3 1/2	89	73	27	136	152	69.9	120.7	M16	5/8	3.68	PCCFF314	34	34
4	102	87	27	146	162	77.8	130.2	M16	5/8	4.10	PCCFF316	34	34
5	127	127	25	180	184	92.1	152.4	M16	5/8	6.40	PCCFF320	34	34

6000 PSI Series

1/2	13	13	16	47	58	18.2	40.5	M 8	5/16	0.30	PCCFF62	420	420
3/4	19	20	19	53	71	23.8	50.8	M10	3/8	0.49	PCCFF63	420	420
1	25	25	24	66	80	27.8	57.2	M12	7/16	0.82	PCCFF64	420	420
1 1/4	32	25	27	77	94	31.8	66.6	M14	1/2	1.22	PCCFF65	420	420
1 1/4	32	25	27	77	94	31.8	66.6	M12	–	1.22	PCCFF65/12	420	420
1 1/2	38	34	30	89	103	36.5	79.3	M16	5/8	1.69	PCCFF66	420	420
2	51	46	37	123	135	44.5	96.8	M20	3/4	3.48	PCCFF68	420	420
2 1/2	64	56	45	150	166	58.7	123.8	M24	–	7.08	PCCFF610	420	420
3	76	71	55	178	208	71.4	152.4	M30	–	12.67	PCCFF612	420	420

¹⁾ Pressure shown = Item deliverable

$$\frac{\text{PN (bar)}}{10} = \text{PN (MPa)}$$

Stainless steel parts may have dimensional deviations. Additional information on request.

*Please add the suffixes below according to the material/surface required.

Order code suffixes				
Material	Suffix surface and material	Example closed flange with metr. threads	Example closed flange with UNC threads	Standard sealing material (no additional suffix needed)
Steel, zinc plated, Cr(VI)-free	CF	PCCF32CFM	PCCFF32CFU	NBR
Stainless steel	SS	PCCFF32SSM	PCCFF32SSU	VIT