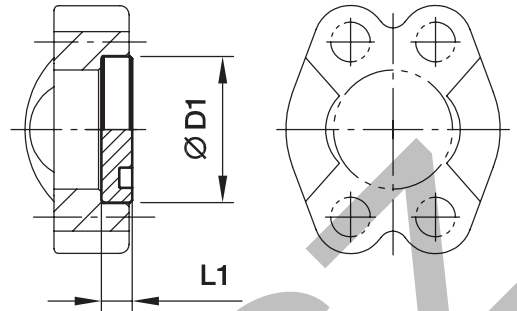


PFMQ Flange head plug flat

(ISO 6162-1/-2)



3000 PSI Series

| Nom. flange size SAE (in.) | D1 | L1 (in.) | Weight (steel) kg/piece | O-ring face Order code* | PN (bar) ¹⁾ CF |
|----------------------------|--------|----------|-------------------------|-------------------------|---------------------------|
| 1/2 | 30.2 | 6.8 | 0.03 | 8PFMQ1 | 210 |
| 3/4 | 38.1 | 6.8 | 0.05 | 12PFMQ1 | 210 |
| 1 | 44.5 | 8.0 | 0.09 | 16PFMQ1 | 210 |
| 1 1/4 | 50.8 | 8.0 | 0.12 | 20PFMQ1 | 210 |
| 1 1/2 | 60.3 | 8.0 | 0.17 | 24PFMQ1 | 160 |
| 2 | 71.4 | 9.6 | 0.29 | 32PFMQ1 | 200 |
| 2 1/2 | 84.1 | 9.6 | 0.39 | 40PFMQ1 | - |
| 3 | 101.6 | 9.6 | 0.58 | 48PFMQ1 | - |
| 3 1/2 | 114.3 | 11.3 | 0.86 | 56PFMQ1 | - |
| 4 | 127.0 | 11.3 | 1.09 | 64PFMQ1 | - |
| 5 | 152.4 | 11.3 | 1.96 | 80PFMQ1 | - |

6000 PSI Series

| | | | | | |
|-------|-------|------|------|----------------|-----|
| 1/2 | 31.8 | 7.8 | 0.04 | 8PFMQ2 | 250 |
| 3/4 | 41.3 | 8.8 | 0.09 | 12PFMQ2 | 250 |
| 1 | 47.6 | 9.5 | 0.13 | 16PFMQ2 | 250 |
| 1 1/4 | 54.0 | 10.3 | 0.18 | 20PFMQ2 | 250 |
| 1 1/2 | 63.5 | 12.6 | 0.30 | 24PFMQ2 | 250 |
| 2 | 79.4 | 12.6 | 0.48 | 32PFMQ2 | 250 |
| 2 1/2 | 107.7 | 20.5 | 1.44 | 40PFMQ2 | - |
| 3 | 131.7 | 26.0 | 2.75 | 48PFMQ2 | - |

1) Pressure shown = Item deliverable

$$\frac{\text{PN (bar)}}{10} = \text{PN (MPa)}$$

Flange head plug in stainless steel on request.

 *Please add the **suffixes** below according to the material/surface required.

| Order code suffixes | | | |
|---------------------------------|-----------------------------|----------|-----------------------|
| Material | Suffix surface and material | Example | Description |
| Steel, zinc plated, Cr(VI)-free | CF | 8PFMQ1CF | only flange head plug |