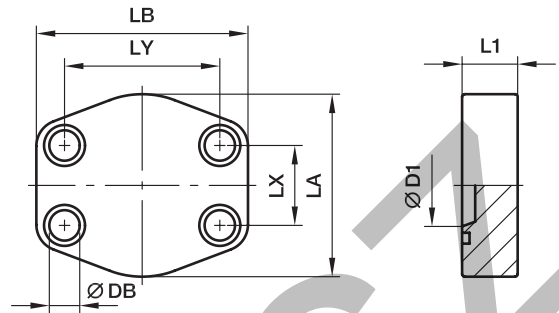


**PCFF SAE Closed flange**

SAE Closed flange  
(ISO 6162-1/-2)



**3000 PSI Series**

Nom. flange size		D1	L1	LA	LB	LX	LY	DB	Bolts		Weight (steel) kg/piece	Order code*	PN (bar) <sup>1)</sup>	
SAE (in.)	ISO (DN)								(metr.)	(unc.)			S	SS
1/2	13	13	16	47	58	17.5	38.1	8.9	M 08×30	5/16×1 1/4	0.25	<b>PCFF32</b>	345	345
3/4	19	16	18	49	66	22.3	47.6	10.6	M 10×35	3/8×1 1/2	0.36	<b>PCFF33</b>	345	345
1	25	25	19	53	71	26.2	52.4	10.6	M 10×35	3/8×1 1/2	0.43	<b>PCFF34</b>	345	345
1 1/4	32	25	21	69	80	30.2	58.7	10.6***	M 10×40	7/16×1 1/2	0.71	<b>PCFF35</b>	276	276
1 1/2	38	34	25	77	95	35.7	69.9	13.3	M 12×45	1/2×1 3/4	1.11	<b>PCFF36</b>	207	207
2	51	43	25	89	103	42.9	77.8	13.3	M 12×45	1/2×1 3/4	1.38	<b>PCFF38</b>	207	207
2 1/2	64	61	25	101	116	50.8	88.9	13.3	M 12×45	1/2×1 3/4	1.77	<b>PCFF310</b>	172	172
3	76	58	27	124	136	61.9	106.4	16.7	M 16×55	5/8×2 1/4	2.72	<b>PCFF312</b>	138	138
3 1/2	89	73	27	136	152	69.9	120.7	16.7	M 16×55	5/8×2 1/4	3.77	<b>PCFF314</b>	34	34
4	102	87	27	146	162	77.8	130.2	16.7	M 16×55	5/8×2 1/4	4.20	<b>PCFF316</b>	34	34
5	127	127	25	180	184	92.1	152.4	16.7	M 16×55	5/8×2 1/4	6.42	<b>PCFF320</b>	34	34

**6000 PSI Series**

1/2	13	13	16	47	58	18.2	40.5	8.9	M 08×30	5/16×1 1/4	0.25	<b>PCFF62</b>	420	420
3/4	19	20	19	53	71	23.8	50.8	10.6	M 10×35	3/8×1 1/2	0.46	<b>PCFF63</b>	420	420
1	25	25	24	66	80	27.8	57.2	13.3***	M 12×45	7/16×1 1/2	0.78	<b>PCFF64</b>	420	420
1 1/4	32	25	27	77	94	31.8	66.6	15.0**	M 14×50	1/2×1 3/4	1.17	<b>PCFF65</b>	420	420
1 1/4	32	25	27	77	94	31.8	66.6	13.3	M 12×50	-	1.17	<b>PCFF65/12</b>	420	420
1 1/2	38	34	30	89	107	36.5	79.3	16.7	M 16×55	5/8×2 1/4	1.62	<b>PCFF66</b>	420	420
2	51	46	37	116	135	44.5	96.8	20.6	M 20×70	3/4×2 3/4	3.40	<b>PCFF68</b>	420	420
2 1/2	64	56	45	150	166	58.7	123.8	25.0	M 24×90	-	6.77	<b>PCFF610</b>	420	420
3	76	81	55	178	208	71.4	152.4	32.0	M 30×110	-	12.36	<b>PCFF612</b>	420	420

\*\*DB = 13.3 for UNC Bolts

\*\*\*DB = 12 for UNC Bolts

<sup>1)</sup>Pressure shown = Item deliverable

$$\frac{\text{PN (bar)}}{10} = \text{PN (MPa)}$$

Stainless steel parts may have dimensional deviations. Additional information on request.

\*Please add the suffixes below according to the material/surface required.

Order code suffixes					
Material	Suffix surface and material	Example only closed flange	Example closed flange incl. metr. bolts and O-ring	Example closed flange incl. UNC bolts and O-ring	Standard sealing material (no additional suffix needed)
Steel, zinc plated, Cr(VI)-free	CF	PCFF32CF	PCFF32CFM	PCFF32CFU	NBR
Stainless steel	SS	PCFF32SS	PCFF32SSM	-	VIT