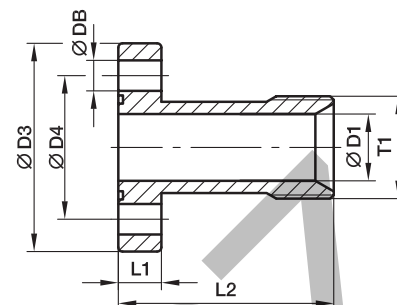


## Gear pump flanges

### PFE Gear pump flange straight

Hydraulic flange / BSPP 60° cone end  
(ISO 8434-6)

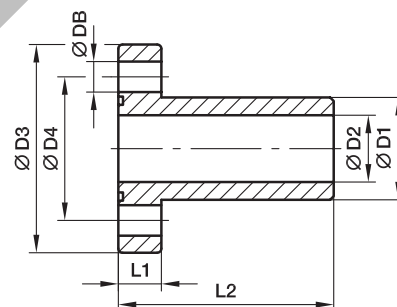


#### PFE

Pump size	LK	T1	D1	D3	D4	L1	L2	DB	Bolts (metr.)	O-ring	Weight (steel) kg/piece	Order code*	PN (bar) <sup>1)</sup> CF
1.0	30.0	<b>G 1/2</b>	14.0	45	30.0	10	55	6.5	M 06×20	18.77×1.78	0.19	<b>PFE1</b>	315
2.0	40.0	<b>G 3/4</b>	19.0	58	40.0	12	60	8.5	M 08×25	25.12×1.78	0.37	<b>PFE2</b>	315
3.0	51.0	<b>G 1</b>	24.0	76	51.0	16	72	10.5	M 10×35	31.42×2.62	0.75	<b>PFE3</b>	315
3B	56.0	<b>G 1</b>	24.0	76	56.0	16	72	10.5	M 10×35	31.42×2.62	0.72	<b>PFE3.5</b>	315

### PFB Gear pump flange straight

Hydraulic flange / Butt weld tube end



#### PFB

Pump size	LK	D1	D2	D3	D4	L1	L2	DB	Bolts (metr.)	O-ring	Weight (steel) kg/piece	Order code*	PN (bar) <sup>1)</sup> S
1.0	30.0	19.0	14.0	45	30.0	10	55	6.5	M 06×20	18.77×1.78	0.19	<b>PFB1</b>	250
2.0	40.0	25.4	19.0	58	40.0	12	60	8.5	M 08×25	25.12×1.78	0.37	<b>PFB2</b>	250
3.0	51.0	32.0	24.5	76	51.0	16	72	10.5	M 10×35	31.42×2.62	0.78	<b>PFB3</b>	250
3B	56.0	32.0	24.5	76	56.0	16	72	10.5	M 10×35	31.42×2.62	0.74	<b>PFB3.5</b>	250

<sup>1)</sup> Pressure shown = Item deliverable

$\frac{\text{PN (bar)}}{10} = \text{PN (MPa)}$

The pressures (PFB) given here are the maximum allowable for the flange fittings. If the pipe or tube used has a lower pressure rating, then the welded assembly rating will be the lower one, assuming the weld is adequately strong.

\*Please add the **suffixes** below according to the material/surface required.

Order code suffixes			
Material	Suffix surface and material	Example incl. metr. bolts and O-ring	Standard sealing material (no additional suffix needed)
Steel, zinc plated, Cr(VI)-free	<b>PFE</b> CF	PFE1CFM	NBR
Steel, blanc oil dipped	<b>PFB</b> S	PFB1SM	NBR