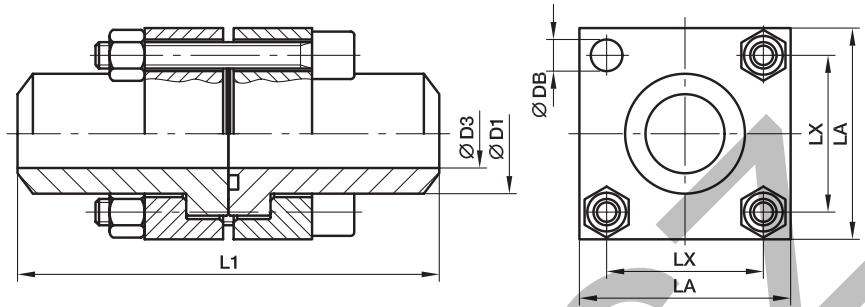


PDSF-B Square flange (butt weld connection)

Square flange / Butt weld tube end
(ISO 6164)



250 bar Series

Series ²⁾	Nom. flange size		D1	D3	L1	LA	LX	DB	Bolts (Metr.)	O-ring	Weight (steel) kg/piece	Order code*	PN (bar) ¹⁾ S
	SAE (in.)	ISO (DN)											
L	3/8	10	17.5	10	80	40	24.7	6.6	M 06×45	17.13×2.62	0.50	PDSF10/L/17.5B	250
L	1/2	13	21.6	13	100	45	29.7	9.0	M 08×50	18.64×3.53	0.60	PDSF13/L/21.6B	250
L	3/4	19	27.2	19	120	50	35.4	9.0	M 08×55	24.99×3.53	1.06	PDSF19/L/27.2B	250
L	1	25	34.5	25	140	65	43.8	11.0	M 10×65	32.93×3.53	1.96	PDSF25/L/34.5B	250
L	1 1/4	32	43.0	31	160	75	51.6	13.5	M 12×75	37.89×3.53	3.06	PDSF32/L/43B	250
L	1 1/2	38	48.6	38	180	90	60.1	17.5	M 16×90	47.22×3.53	5.04	PDSF38/L/48.6B	250
L	2	51	61.0	50	200	100	69.3	17.5	M 16×100	56.74×3.53	6.46	PDSF51/L/61B	250
L	2 1/2	56	76.6	63	220	120	83.4	22.0	M 20×120	69.44×3.53	11.62	PDSF56/L/76.6B	250
L	3	63	89.0	70	240	140	102.5	22.0	M 20×140	85.32×3.53	16.38	PDSF63/L/89B	250
L	4	80	114.0	90	280	160	113.5	25.0	M 24×150	97.79×5.34	24.90	PDSF80/L/114B	250

400 bar Series

S	3/8	10	17.5	10	80	40	24.7	6.6	M 06×45	17.13×2.62	0.52	PDSF10/S/17.5B	400
S	1/2	13	21.6	13	100	45	29.7	9.0	M 08×50	18.64×3.53	0.62	PDSF13/S/21.6B	400
S	3/4	19	27.2	18	120	50	35.4	9.0	M 08×55	24.99×3.53	1.10	PDSF19/S/27.2B	400
S	1	25	34.5	22	140	65	43.8	11.0	M 10×65	32.93×3.53	2.04	PDSF25/S/34.5B	400
S	1 1/4	32	43.0	28	180	75	51.6	13.5	M 12×75	37.89×3.53	3.40	PDSF32/S/43B	400
S	1 1/2	38	48.6	32	180	90	60.1	17.5	M 16×90	47.22×3.53	5.52	PDSF38/S/48.6B	400
S	2	51	61.0	41	200	100	69.3	17.5	M 16×100	56.52×5.34	7.62	PDSF51/S/61B	400
S	2 1/2	56	76.6	50	220	120	83.4	22.0	M 20×130	69.22×5.34	13.50	PDSF56/S/76.6B	400
S	3	63	89.0	58	240	150	102.5	26.0	M 24×140	75.57×5.34	22.00	PDSF63/S/89B	400
S	3 1/2	70	102.0	63	260	160	113.1	26.0	M 24×150	85.09×5.34	27.20	PDSF70/S/102B	400
S	4	80	114.0	74	280	180	123.7	33.0	M 30×180	88.27×5.34	39.94	PDSF80/S/114B	350

¹⁾ Pressure shown = Item deliverable

²⁾ L = light series; S = heavy series

$$\frac{\text{PN (bar)}}{10} = \text{PN (MPa)}$$

The pressures given here are the maximum allowable for the flange fittings. If the pipe or tube used has a lower pressure rating, then the welded assembly rating will be the lower one, assuming the weld is adequately strong.

*Please add the **suffixes** below according to the material/surface required.

Order code suffixes			
Material	Suffix surface and material	Example Flange coupling incl. flange clamps, metr. bolts and O-ring	Standard sealing material (no additional suffix needed)
Steel, blanc oil dipped	S	PDSF10/L/17.5BS	NBR