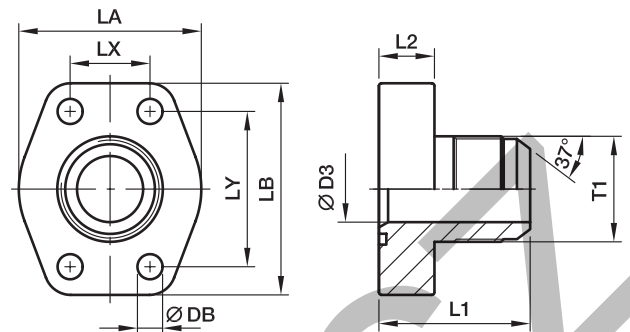


## PAFG-X SAE Straight 4 bolt flange with Triple-Lok® 37° flare end

SAE Flange / Triple-Lok® 37° flare end  
(ISO 6162-1/-2)



### 3000 PSI Series

Nom. flange size	SAE (in.)	ISO (DN)	T1	D3	L1	L2	LA	LB	LX	LY	DB	Bolts		Weight (steel) kg/piece	Order code*	PN (bar) <sup>1)</sup>	
												(metr.)	(unc.)			CF	SS
1/2	13	13	<b>3/4-16UNF</b>	9.9	41	16	47	57	17.5	38.1	8.9	M 08×30	5/16×1 1/4	0.25	<b>PAFG080X-A</b>	348	348
1/2	13	13	<b>7/8-14UNF</b>	12.3	41	16	47	57	17.5	38.1	8.9	M 08×30	5/16×1 1/4	0.25	<b>PAFG080X-B</b>	348	348
1/2	13	13	<b>1 1/16-12UN</b>	12.3	46	16	47	57	17.5	38.1	8.9	M 08×30	5/16×1 1/4	0.28	<b>PAFG080X-C</b>	348	348
3/4	19	19	<b>7/8-14UN</b>	12.3	47	18	50	66	22.3	47.6	10.6	M 10×35	3/8×1 1/2	0.35	<b>PAFG100X-A</b>	348	348
3/4	19	19	<b>1 1/16-12UN</b>	15.5	49	18	50	66	22.3	47.6	10.6	M 10×35	3/8×1 1/2	0.40	<b>PAFG100X-B</b>	348	348
3/4	19	19	<b>1 5/16-12UN</b>	21.5	50	18	50	66	22.3	47.6	10.6	M 10×35	3/8×1 1/2	0.41	<b>PAFG100X-C</b>	348	348
1	25	25	<b>1 1/16-12UN</b>	15.5	51	18	53	71	26.2	52.4	10.6	M 10×35	3/8×1 1/2	0.44	<b>PAFG102X-A</b>	348	348
1	25	25	<b>1 5/16-12UN</b>	21.5	52	18	53	71	26.2	52.4	10.6	M 10×35	3/8×1 1/2	0.46	<b>PAFG102X-B</b>	348	348
1	25	25	<b>1 5/8-12UN</b>	27.5	54	18	53	71	26.2	52.4	10.6	M 10×35	3/8×1 1/2	0.56	<b>PAFG102X-C</b>	348	348
1 1/4	32	32	<b>1 5/16-12UN</b>	21.5	56	21	69	81	30.2	58.7	10.6***	M 10×40	7/16×1 1/2	0.73	<b>PAFG104X-A</b>	278	278
1 1/4	32	32	<b>1 5/8-12UN</b>	27.5	58	21	69	81	30.2	58.7	10.6***	M 10×40	7/16×1 1/2	0.80	<b>PAFG104X-B</b>	278	278
1 1/4	32	32	<b>1 7/8-12UN</b>	33.0	61	21	69	81	30.2	58.7	10.6***	M 10×40	7/16×1 1/2	0.92	<b>PAFG104X-C</b>	278	278
1 1/2	38	38	<b>1 5/8-12UN</b>	27.5	64	24	77	94	35.7	69.9	13.3	M 12×45	1/2×1 3/4	1.17	<b>PAFG106X-A</b>	210	210
1 1/2	38	38	<b>1 7/8-12UN</b>	33.0	67	24	77	94	35.7	69.9	13.3	M 12×45	1/2×1 3/4	1.19	<b>PAFG106X-B</b>	210	210

### 6000 PSI Series

1/2	13	13	<b>3/4-16UNF</b>	9.9	42	16	47	57	18.2	40.5	8.9	M 08×30	5/16×1 1/4	0.26	<b>PAFG401X-A</b>	350	350
1/2	13	13	<b>7/8-14UNF</b>	12.3	45	16	47	57	18.2	40.5	8.9	M 08×30	5/16×1 1/4	0.26	<b>PAFG401X-B</b>	350	350
1/2	13	13	<b>1 1/16-12UN</b>	12.3	47	16	47	57	18.2	40.5	8.9	M 08×30	5/16×1 1/4	0.29	<b>PAFG401X-C</b>	350	350
3/4	19	19	<b>7/8-14UN</b>	12.3	49	18	53	71	23.8	50.8	10.6	M 10×35	3/8×1 1/2	0.45	<b>PAFG402X-A</b>	350	350
3/4	19	19	<b>1 1/16-12UN</b>	15.5	51	18	53	71	23.8	50.8	10.6	M 10×35	3/8×1 1/2	0.52	<b>PAFG402X-B</b>	350	350
3/4	19	19	<b>1 5/16-12UN</b>	21.5	52	18	53	71	23.8	50.8	10.6	M 10×35	3/8×1 1/2	0.52	<b>PAFG402X-C</b>	350	350
1	25	25	<b>1 1/16-12UN</b>	15.5	58	21	66	80	27.8	57.2	13.3***	M 12×45	7/16×1 1/2	0.70	<b>PAFG403X-A</b>	350	350
1	25	25	<b>1 5/16-12UN</b>	21.5	59	21	66	80	27.8	57.2	13.3***	M 12×45	7/16×1 1/2	0.71	<b>PAFG403X-B</b>	350	350
1	25	25	<b>1 5/8-12UN</b>	27.5	61	21	66	80	27.8	57.2	13.3***	M 12×45	7/16×1 1/2	0.82	<b>PAFG403X-C</b>	275	275
1 1/4	32	32	<b>1 5/16-12UN</b>	21.5	64	24	78	94	31.8	66.6	15.0**	M 14×50	1/2×1 3/4	1.07	<b>PAFG404X-A</b>	350	350
1 1/4	32	32	<b>1 5/16-12UN</b>	21.5	64	24	78	94	31.8	66.6	13.3	M 12×50	-	1.07	<b>PAFG404/12X-A</b>	350	350
1 1/4	32	32	<b>1 5/8-12UN</b>	27.5	66	24	78	94	31.8	66.6	15.0**	M 14×50	1/2×1 3/4	1.13	<b>PAFG404X-B</b>	275	275
1 1/4	32	32	<b>1 5/8-12UN</b>	27.5	66	24	78	94	31.8	66.6	13.3	M 12×50	-	1.13	<b>PAFG404/12X-B</b>	275	275
1 1/4	32	32	<b>1 7/8-12UN</b>	33.0	69	24	78	94	31.8	66.6	15.0**	M 14×50	1/2×1 3/4	1.10	<b>PAFG404X-C</b>	210	210
1 1/4	32	32	<b>1 7/8-12UN</b>	33.0	69	24	78	94	31.8	66.6	13.3	M 12×50	-	1.10	<b>PAFG404/12X-C</b>	210	210
1 1/2	38	38	<b>1 5/8-12UN</b>	27.5	70	27	90	106	36.5	79.3	16.7	M 16×55	5/8×2 1/4	1.60	<b>PAFG405X-A</b>	275	275
1 1/2	38	38	<b>1 7/8-12UN</b>	33.0	73	27	90	106	36.5	79.3	16.7	M 16×55	5/8×2 1/4	1.62	<b>PAFG405X-B</b>	210	210

1) Pressure shown = Item deliverable

\*\*DB = 13.3 for UNC Bolts

PN (bar) = PN (MPa) / 10

\*\*\*DB = 12 for UNC Bolts

\*Please add the suffixes below according to the material/surface required.

Stainless steel parts may have dimensional deviations. Additional information on request.

Order code suffixes					
Material	Suffix surface and material	Example only 4 bolt flange	Example 4 bolt flange incl. metr. bolts and O-ring	Example 4 bolt flange incl. UNC bolts and O-ring	Standard sealing material (no additional suffix needed)
Steel, zinc plated, Cr(VI)-free	CF	PAFG080X-ACF	PAFG080X-ACFM	PAFG080X-ACFU	NBR
Stainless steel	SS	PAFG080X-ASS	PAFG080X-ASSM	-	VIT