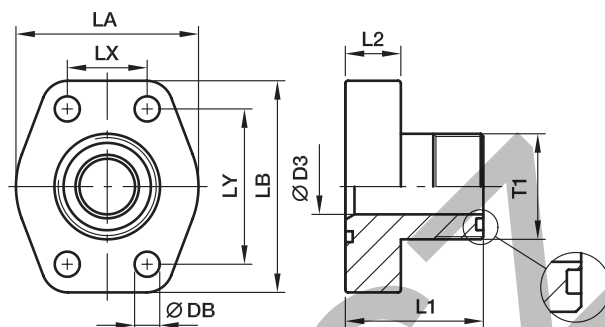


## PAFG-L SAE Straight 4 bolt flange with O-Lok® ORFS end

SAE Flange / O-Lok® ORFS end  
(ISO 6162-1/-2)



### 3000 PSI Series

Nom. flange size		T1	D3	L1	L2	LA	LB	LX	LY	DB	Bolts		Weight (steel) kg/piece	Order code*	PN (bar) <sup>1)</sup>	
SAE (in.)	ISO (DN)										(metr.)	(unc.)			CF	SS
1/2	13	<b>11/16-16UN</b>	6.0	37	16	47	56	17.5	38.1	8.9	M 08×30	5/16×1 1/4	0.24	<b>PAFG080L-A</b>	348	348
1/2	13	<b>13/16-16UN</b>	9.0	39	16	47	56	17.5	38.1	8.9	M 08×30	5/16×1 1/4	0.25	<b>PAFG080L-B</b>	348	348
1/2	13	<b>1-14UN</b>	12.0	42	16	47	56	17.5	38.1	8.9	M 08×30	5/16×1 1/4	0.27	<b>PAFG080L-C</b>	348	348
3/4	19	<b>1-14UN</b>	12.0	45	18	50	66	22.3	47.6	10.6	M 10×35	3/8×1 1/2	0.44	<b>PAFG100L-A</b>	348	348
3/4	19	<b>1 3/16-12UN</b>	15.0	47	18	50	66	22.3	47.6	10.6	M 10×35	3/8×1 1/2	0.46	<b>PAFG100L-B</b>	348	348
1	25	<b>1 3/16-12UN</b>	15.0	49	18	53	71	26.2	52.4	10.6	M 10×35	3/8×1 1/2	0.53	<b>PAFG102L-A</b>	348	348
1	25	<b>1 7/16-12UN</b>	20.0	49	18	53	71	26.2	52.4	10.6	M 10×35	3/8×1 1/2	0.54	<b>PAFG102L-B</b>	348	348
1 1/4	32	<b>1 7/16-12UN</b>	20.0	53	21	69	80	30.2	58.7	10.6***	M 10×40	7/16×1 1/2	0.80	<b>PAFG104L-A</b>	278	278
1 1/4	32	<b>1 11/16-12UN</b>	26.0	53	21	69	80	30.2	58.7	10.6***	M 10×40	7/16×1 1/2	0.83	<b>PAFG104L-B</b>	278	278
1 1/2	38	<b>1 11/16-12UN</b>	26.0	61	24	77	94	35.7	69.9	13.3	M 12×45	1/2×1 3/4	1.34	<b>PAFG106L-A</b>	210	210
1 1/2	38	<b>2-12UN</b>	32.0	61	24	77	94	35.7	69.9	13.3	M 12×45	1/2×1 3/4	1.20	<b>PAFG106L-B</b>	210	210

### 6000 PSI Series

1/2	13	<b>11/16-16UN</b>	6.0	38	16	47	57	18.2	40.5	8.9	M 08×30	5/16×1 1/4	0.25	<b>PAFG401L-A</b>	420	420
1/2	13	<b>13/16-16UN</b>	9.0	40	16	47	57	18.2	40.5	8.9	M 08×30	5/16×1 1/4	0.27	<b>PAFG401L-B</b>	420	420
1/2	13	<b>1-14UN</b>	12.5	43	16	47	57	18.2	40.5	8.9	M 08×30	5/16×1 1/4	0.28	<b>PAFG401L-C</b>	420	420
3/4	19	<b>1-14UN</b>	12.5	47	18	53	72	23.8	50.8	10.6	M 10×35	3/8×1 1/2	0.49	<b>PAFG402L-A</b>	420	420
3/4	19	<b>1 3/16-12UN</b>	15.0	49	18	53	72	23.8	50.8	10.6	M 10×35	3/8×1 1/2	0.51	<b>PAFG402L-B</b>	420	420
1	25	<b>1 3/16-12UN</b>	15.0	56	21	68	80	27.8	57.2	13.3***	M 12×45	7/16×1 1/2	0.75	<b>PAFG403L-A</b>	420	420
1	25	<b>1 7/16-12UN</b>	20.0	56	21	68	80	27.8	57.2	13.3***	M 12×45	7/16×1 1/2	0.77	<b>PAFG403L-B</b>	420	420
1 1/4	32	<b>1 7/16-12UN</b>	20.0	61	24	78	94	31.8	66.6	15.0**	M 14×50	1/2×1 3/4	1.15	<b>PAFG404L-A</b>	345	345
1 1/4	32	<b>1 7/16-12UN</b>	20.0	61	24	78	94	31.8	66.6	13.3	M 12×50	-	1.15	<b>PAFG404/12L-A</b>	345	345
1 1/4	32	<b>1 11/16-12UN</b>	26.0	61	24	78	94	31.8	66.6	15.0**	M 14×50	1/2×1 3/4	1.15	<b>PAFG404L-B</b>	345	345
1 1/4	32	<b>1 11/16-12UN</b>	26.0	61	24	78	94	31.8	66.6	13.3	M 12×50	-	1.15	<b>PAFG404/12L-B</b>	345	345
1 1/2	38	<b>1 11/16-12UN</b>	26.0	65	27	90	106	36.5	79.3	16.7	M 16×55	5/8×2 1/4	1.66	<b>PAFG405L-A</b>	310	310
1 1/2	38	<b>2-12UN</b>	32.0	67	27	90	106	36.5	79.3	16.7	M 16×55	5/8×2 1/4	1.75	<b>PAFG405L-B</b>	310	310

\*\* DB = 13.3 for UNC Bolts

\*\*\*DB = 12 for UNC Bolts

<sup>1)</sup> Pressure shown = Item deliverable

PN (bar) = PN (MPa)  
10

Stainless steel parts may have dimensional deviations. Additional information on request.

\*Please add the suffixes below according to the material/surface required.

Order code suffixes					
Material	Suffix surface and material	Example only 4 bolt flange	Example 4 bolt flange incl. metr. bolts and O-ring	Example 4 bolt flange incl. UNC bolts and O-ring	Standard sealing material (no additional suffix needed)
Steel, zinc plated, Cr(VI)-free	CF	PAFG080L-ACF	PAFG080L-ACFM	PAFG080L-ACFU	NBR
Stainless steel	SS	PAFG080L-ASS	PAFG080L-ASSM	-	VIT