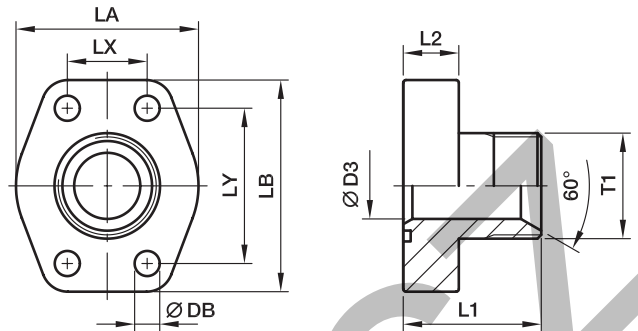


**PAFG-G SAE Straight 4 bolt flange with BSPP 60° cone end**

SAE Flange / BSPP 60° cone end  
(ISO 6162-1/-2) (ISO 8434-6)



**3000 PSI Series**

Nom. flange size		T1	D3	L1	L2	LA	LB	LX	LY	DB	Bolts		Weight (steel) kg/piece	Order code*	PN (bar) <sup>1)</sup>	
SAE (in.)	ISO (DN)										(metr.)	(unc.)			CF	SS
1/2	13	<b>G 3/8</b>	10	37	16	47	56	17.5	38.1	8.9	M 08x30	5/16x1 1/4	0.25	<b>PAFG080G38</b>	348	348
1/2	13	<b>G 1/2</b>	12	39	16	47	56	17.5	38.1	8.9	M 08x30	5/16x1 1/4	0.29	<b>PAFG080G</b>	348	348
1/2	13	<b>G 3/4</b>	13	42	16	47	56	17.5	38.1	8.9	M 08x30	5/16x1 1/4	0.28	<b>PAFG080G34</b>	348	348
3/4	19	<b>G 1/2</b>	12	42	18	50	66	22.3	47.6	10.6	M 10x35	3/8x1 1/2	0.39	<b>PAFG100G12</b>	348	348
3/4	19	<b>G 3/4</b>	17	45	18	50	66	22.3	47.6	10.6	M 10x35	3/8x1 1/2	0.40	<b>PAFG100G</b>	348	348
3/4	19	<b>G 1</b>	19	47	18	50	66	22.3	47.6	10.6	M 10x35	3/8x1 1/2	0.43	<b>PAFG100G1</b>	348	348
1	25	<b>G 3/4</b>	17	47	18	53	71	26.2	52.4	10.6	M 10x35	3/8x1 1/2	0.44	<b>PAFG102G34</b>	348	348
1	25	<b>G 1</b>	22	49	18	53	71	26.2	52.4	10.6	M 10x35	3/8x1 1/2	0.49	<b>PAFG102G</b>	348	348
1	25	<b>G 1 1/4</b>	25	49	18	53	71	26.2	52.4	10.6	M 10x35	3/8x1 1/2	0.57	<b>PAFG102G114</b>	348	348
1 1/4	32	<b>G 1</b>	22	53	21	69	80	30.2	58.7	10.6***	M 10x40	7/16x1 1/2	0.74	<b>PAFG104G1</b>	278	278
1 1/4	32	<b>G 1 1/4</b>	27	53	21	69	80	30.2	58.7	10.6***	M 10x40	7/16x1 1/2	0.73	<b>PAFG104G</b>	278	278
1 1/4	32	<b>G 1 1/2</b>	31	55	21	69	80	30.2	58.7	10.6***	M 10x40	7/16x1 1/2	0.90	<b>PAFG104G112</b>	278	278
1 1/2	38	<b>G 1 1/4</b>	27	59	24	77	94	35.7	69.9	13.3	M 12x45	1/2x1 3/4	1.12	<b>PAFG106G114</b>	210	210
1 1/2	38	<b>G 1 1/2</b>	34	61	24	77	94	35.7	69.9	13.3	M 12x45	1/2x1 3/4	1.10	<b>PAFG106G</b>	210	210
1 1/2	38	<b>G 2</b>	38	63	24	77	94	35.7	69.9	13.3	M 12x45	1/2x1 3/4	1.28	<b>PAFG106G2</b>	210	210
2	51	<b>G 1 1/2</b>	34	69	25	90	103	42.9	77.8	13.3	M 12x45	1/2x1 3/4	1.59	<b>PAFG108G112</b>	210	210
2	51	<b>G 2</b>	42	69	25	90	103	42.9	77.8	13.3	M 12x45	1/2x1 3/4	1.62	<b>PAFG108G</b>	210	210

**6000 PSI Series**

1/2	13	<b>G 3/8</b>	10	38	16	47	56	18.2	40.5	8.9	M 08x30	5/16x1 1/4	0.24	<b>PAFG401G38</b>	420	420
1/2	13	<b>G 1/2</b>	12	40	16	47	56	18.2	40.5	8.9	M 08x30	5/16x1 1/4	0.24	<b>PAFG401G</b>	420	420
1/2	13	<b>G 3/4</b>	13	43	16	47	56	18.2	40.5	8.9	M 08x30	5/16x1 1/4	0.28	<b>PAFG401G34</b>	420	420
3/4	19	<b>G 1/2</b>	12	44	18	53	71	23.8	50.8	10.6	M 10x35	3/8x1 1/2	0.47	<b>PAFG402G12</b>	420	420
3/4	19	<b>G 3/4</b>	17	47	18	53	71	23.8	50.8	10.6	M 10x35	3/8x1 1/2	0.48	<b>PAFG402G</b>	420	420
3/4	19	<b>G 1</b>	19	49	18	53	71	23.8	50.8	10.6	M 10x35	3/8x1 1/2	0.54	<b>PAFG402G1</b>	420	420
1	25	<b>G 3/4</b>	17	54	21	68	81	27.8	57.2	13.3***	M 12x45	7/16x1 1/2	0.70	<b>PAFG403G34</b>	420	420
1	25	<b>G 1</b>	22	56	21	68	81	27.8	57.2	13.3***	M 12x45	7/16x1 1/2	0.78	<b>PAFG403G</b>	420	420
1	25	<b>G 1 1/4</b>	25	56	21	68	81	27.8	57.2	13.3***	M 12x45	7/16x1 1/2	0.80	<b>PAFG403G114</b>	420	420
1 1/4	32	<b>G 1</b>	22	61	24	78	94	31.8	66.6	15.0**	M 14x50	1/2x1 3/4	1.08	<b>PAFG404G1</b>	420	420
1 1/4	32	<b>G 1 1/4</b>	27	61	24	78	94	31.8	66.6	15.0**	M 14x50	1/2x1 3/4	1.13	<b>PAFG404G</b>	420	420
1 1/4	32	<b>G 1 1/4</b>	27	61	24	78	94	31.8	66.6	13.3	M 12x50	-	1.13	<b>PAFG404/12G</b>	420	420
1 1/4	32	<b>G 1 1/2</b>	31	63	24	78	94	31.8	66.6	15.0**	M 14x50	1/2x1 3/4	1.15	<b>PAFG404G112</b>	420	420
1 1/4	32	<b>G 1 1/2</b>	31	63	24	78	94	31.8	66.6	13.3	M 12x50	-	1.15	<b>PAFG404/12G112</b>	420	420
1 1/2	38	<b>G 1 1/4</b>	27	65	27	90	101	36.5	79.3	16.7	M 16x55	5/8x2 1/4	1.58	<b>PAFG405G114</b>	420	420
1 1/2	38	<b>G 1 1/2</b>	32	67	27	90	101	36.5	79.3	16.7	M 16x55	5/8x2 1/4	1.55	<b>PAFG405G</b>	420	420

Stainless steel parts may have dimensional deviations.  
Additional information on request.

\*\*DB = 13.3 for UNC Bolts

\*\*\*DB = 12 for UNC Bolts

<sup>1)</sup> Pressure shown = Item deliverable

PN (bar) = PN (MPa)  
10

\*Please add the suffixes below according to the material/surface required.

Order code suffixes					
Material	Suffix surface and material	Example only 4 bolt flange	Example 4 bolt flange incl. metr. bolts and O-ring	Example 4 bolt flange incl. UNC bolts and O-ring	Standard sealing material (no additional suffix needed)
Steel, zinc plated, Cr(VI)-free	CF	PAFG080GCF	PAFG080GCFM	PAFG080GCFU	NBR
Stainless steel	SS	PAFG080GSS	PAFG080GSSM	-	VIT