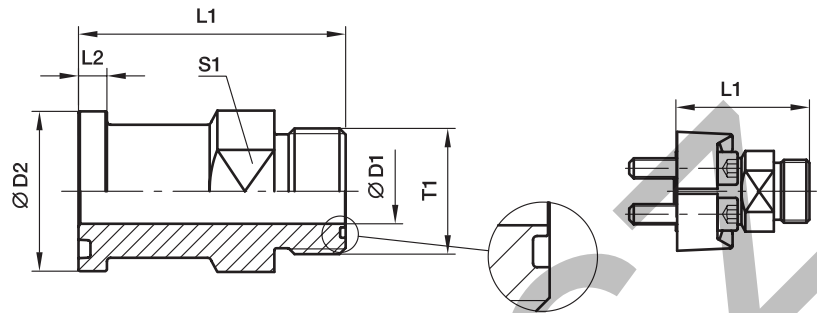


L(O)HQ SAE Straight flange adapter

SAE Flange / O-Lok® ORFS end
(ISO 6162-1/-2)



3000 PSI Series

Nom. flange size		Tube		T1	D1	D2	L1	L2	S1	Weight (steel) kg/piece	O-ring face without ORFS O-ring	O-ring face include ORFS O-ring	PN (bar) ¹⁾ S
SAE (in.)	ISO (DN)	(metr.)	(in.)								Order code*	Order code*	
3/4	19	18, 20	3/4	1 3/16-12UN	15.5	38.1	70.9	6.7	35.0	0.21	12LHQ1	12LOHQ1	350
1	25	22, 25	7/8, 1	1 7/16-12UN	20.6	44.5	71.4	8.0	41.0	0.30	16LHQ1	16LOHQ1	350
1 1/4	32	28, 30, 32	1 1/4	1 11/16-12UN	26.0	50.8	81.5	8.0	47.5	0.31	20LHQ1	20LOHQ1	280
1 1/2	38	35, 38	1 1/2	2-12UN	32.0	60.3	83.6	8.0	54.0	0.56	24LHQ1	24LOHQ1	210

6000 PSI Series

3/4	19	18, 20	3/4	1 3/16-12UN	15.5	41.3	76.7	8.8	35.0	0.21	12LHQ2	12LOHQ2	420
1	25	18, 20	3/4	1 3/16-12UN	15.5	47.6	84.8	9.5	35.0	0.26	12-16LHQ2	12-16LOHQ2	420
1	25	22, 27	3/4, 7/8	1 7/16-12UN	20.6	47.6	85.3	9.5	41.0	0.30	16LHQ2	16LOHQ2	420
1 1/4	32	28, 30, 32	1 1/4	1 11/16-12UN	26.0	54.0	88.4	10.3	47.5	0.31	20LHQ2	20LOHQ2	345
1 1/2	38	35, 38	1 1/2	2-12UN	32.0	63.5	105.2	12.6	54.0	0.56	24LHQ2	24LOHQ2	310

¹⁾Pressure shown = Item deliverable

$$\frac{PN \text{ (bar)}}{10} = PN \text{ (MPa)}$$

Stainless steel on request.

See pages M16 and M19 for related flange halves depending on bolt sets.

See page M10 for related flange port O-rings.

Stainless steel parts may have dimensional deviations. Additional information on request.

Order code suffixes				
Material	Suffix surface and material	Example only flange adapter without ORFS O-ring	Example only flange adapter incl. ORFS O-ring	Standard sealing material (no additional suffix needed)
Steel, oiled	S	12LHQ1-S	12LOHQ1-S	NBR