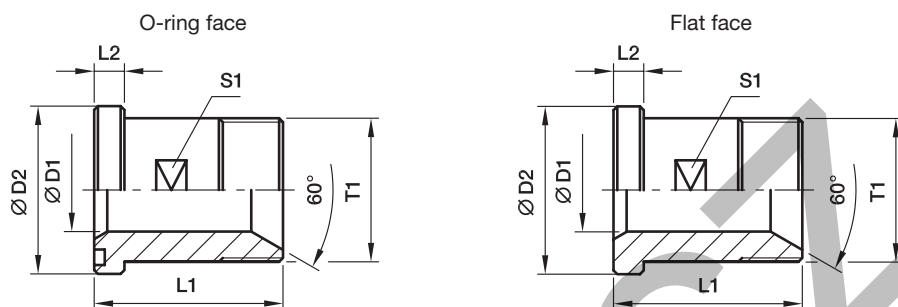


## GFS-G SAE Straight flange adapter

SAE Flange / BSP 60° cone end  
(ISO 6162-1/-2) (ISO 8434-6)



### 3000 PSI Series

Nom. flange size		T1	D1	D2	L1	L2	S1	Weight (steel) kg/piece	O-ring face	Flat face	PN (bar) <sup>1)</sup>	
SAE (in.)	ISO (DN)								Order code*	Order code*	CF	SS
1/2	13	<b>G 1/2</b>	12	30.2	50	6.7	19	0.11	<b>GFS32/12G</b>	<b>GFSG32/12G</b>	345	345
1/2	13	<b>G 3/8</b>	10	30.2	50	6.7	19	0.12	<b>GFS32/38G</b>	<b>GFSG32/38G</b>	345	345
3/4	19	<b>G 3/4</b>	17	38.1	55	6.7	27	0.18	<b>GFS33/34G</b>	<b>GFSG33/34G</b>	345	345
3/4	19	<b>G 1/2</b>	12	38.1	55	6.7	27	0.21	<b>GFS33/12G</b>	<b>GFSG33/12G</b>	345	345
1	25	<b>G 1</b>	22	44.4	60	8.0	32	0.28	<b>GFS34/1G</b>	<b>GFSG34/1G</b>	345	345
1	25	<b>G 3/4</b>	17	44.4	60	8.0	32	0.31	<b>GFS34/34G</b>	<b>GFSG34/34G</b>	345	345
1 1/4	32	<b>G 1 1/4</b>	27	50.8	65	8.0	41	0.41	<b>GFS35/114G</b>	<b>GFSG35/114G</b>	276	276
1 1/4	32	<b>G 1</b>	22	50.8	65	8.0	41	0.44	<b>GFS35/1G</b>	<b>GFSG35/1G</b>	276	276
1 1/2	38	<b>G 1 1/2</b>	32	60.3	70	8.0	46	0.58	<b>GFS36/112G</b>	<b>GFSG36/112G</b>	207	207
1 1/2	38	<b>G 1 1/4</b>	27	60.3	70	8.0	46	0.64	<b>GFS36/114G</b>	<b>GFSG36/114G</b>	207	207
2	51	<b>G 2</b>	40	71.4	75	9.5	55	0.89	<b>GFS38/2G</b>	<b>GFSG38/2G</b>	207	207
2	51	<b>G 1 1/2</b>	32	71.4	75	9.5	55	1.01	<b>GFS38/112G</b>	<b>GFSG38/112G</b>	207	207

### 6000 PSI Series

1/2	13	<b>G 1/2</b>	12	31.8	50	7.7	19	0.12	<b>GFS62/12G</b>	<b>GFSG62/12G</b>	420	420
1/2	13	<b>G 3/8</b>	10	31.8	50	7.7	19	0.13	<b>GFS62/38G</b>	<b>GFSG62/38G</b>	420	420
3/4	19	<b>G 3/4</b>	17	41.3	60	8.7	26	0.24	<b>GFS63/34G</b>	<b>GFSG63/34G</b>	420	420
3/4	19	<b>G 1/2</b>	12	41.3	60	8.7	26	0.22	<b>GFS63/12G</b>	<b>GFSG63/12G</b>	420	420
1	25	<b>G 1</b>	22	47.6	70	9.5	32	0.35	<b>GFS64/1G</b>	<b>GFSG64/1G</b>	420	420
1	25	<b>G 3/4</b>	17	47.6	70	9.5	32	0.40	<b>GFS64/34G</b>	<b>GFSG64/34G</b>	420	420
1 1/4	32	<b>G 1 1/4</b>	27	54.0	75	10.3	36	0.50	<b>GFS65/114G</b>	<b>GFSG65/114G</b>	420	420
1 1/4	32	<b>G 1 1/4</b>	27	54.0	75	10.3	36	0.50	<b>GFS65/114G/12<sup>3)</sup></b>	<b>GFSG65/114G/12<sup>3)</sup></b>	420	420
1 1/4	32	<b>G 1</b>	22	54.0	75	10.3	36	0.54	<b>GFS65/1G</b>	<b>GFSG65/1G</b>	420	420
1 1/4	32	<b>G 1</b>	22	54.0	75	10.3	36	0.54	<b>GFS65/1G/12<sup>3)</sup></b>	<b>GFSG65/1G/12<sup>3)</sup></b>	420	420
1 1/2	38	<b>G 1 1/2</b>	32	63.5	80	12.5	46	0.73	<b>GFS66/112G</b>	<b>GFSG66/112G</b>	420	420
1 1/2	38	<b>G 1 1/4</b>	27	63.5	80	12.5	46	0.80	<b>GFS66/114G</b>	<b>GFSG66/114G</b>	420	420
2	51	<b>G 2</b>	40	79.4	90	12.5	55	1.34	<b>GFS68/2G</b>	<b>GFSG68/2G</b>	420	420
2	51	<b>G 1 1/2</b>	32	79.4	90	12.5	55	1.54	<b>GFS68/112G</b>	<b>GFSG68/112G</b>	420	420

<sup>1)</sup> Pressure shown = Item deliverable

PN (bar) = PN (MPa)  
10

<sup>3)</sup> Order code for the straight flange adapter assembled with FHS65/12CFX and M12×45 bolts.

See pages M16 and M19 for related flange halves depending on bolt sets.

**Stainless steel parts may have dimensional deviations. Additional information on request.**

\*Please add the **suffixes** below according to the material/surface required.

Order code suffixes					
Material	Suffix surface and material	Example only flange adapter	Example incl. splitflanges, metr. bolts and O-ring	Example incl. splitflanges, UNC bolts and O-ring	Standard sealing material (no additional suffix needed)
Steel, zinc plated, Cr(VI)-free	CF	GFS32/12GCF	GFS32/12GCFM	GFS32/12GCFU	NBR
Stainless steel	SS	GFS32/12GSS	GFS32/12GSSM	-	VIT