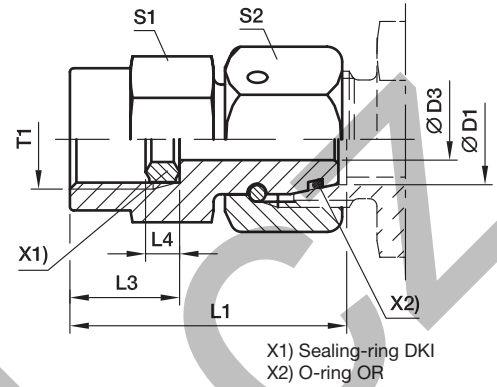


MAVE Pressure gauge swivel connector

Female BSPP thread / EO 24° DKO swivel
 Port acc. to ISO 1179-1



| Series | D1 ⊕ | T1 | D3 | L1 | L3 | L4 | S1 | S2 | Weight g/1 piece | Order code* | PN (bar) ¹⁾ | |
|-----------------|---------|-------|-----|------|------|-----|----|----|---------------------|--------------------|------------------------|-----|
| | | | | | | | | | | | Steel | 71 |
| L ³⁾ | 06 | G 1/4 | 2.5 | 35.5 | 15.5 | 4.5 | 19 | 14 | 46 | MAVE06LR | 500 | 315 |
| | 08 | G 1/4 | 4.0 | 35.5 | 15.5 | 4.5 | 19 | 17 | 52 | MAVE08LR | 500 | 315 |
| | 10 | G 1/4 | 5.5 | 36.0 | 15.5 | 4.5 | 19 | 19 | 59 | MAVE10LR | 500 | 315 |
| | 12 | G 1/4 | 5.5 | 36.0 | 15.5 | 4.5 | 19 | 22 | 70 | MAVE12LR | 400 | 315 |
| S ⁴⁾ | 06 | G 1/2 | 2.5 | 42.5 | 20.0 | 5.0 | 27 | 17 | 95 | MAVE06SR | 630 | 630 |
| | 06 | G 1/4 | 2.5 | 35.5 | 15.5 | 4.5 | 19 | 17 | 52 | MAVE06SR1/4 | 630 | 630 |
| | 08 | G 1/2 | 4.0 | 43.0 | 20.0 | 5.0 | 27 | 19 | 100 | MAVE08SR | 630 | 630 |
| | 08 | G 1/4 | 4.0 | 35.5 | 15.5 | 4.5 | 19 | 19 | 58 | MAVE08SR1/4 | 630 | 630 |
| | 10 | G 1/2 | 6.0 | 43.5 | 20.0 | 5.0 | 27 | 22 | 109 | MAVE10SR | 630 | 630 |
| | 10 | G 1/4 | 7.0 | 39.0 | 15.5 | 4.5 | 19 | 22 | 67 | MAVE10SR1/4 | 630 | 630 |
| | 12 | G 1/2 | 7.0 | 45.0 | 20.0 | 5.0 | 27 | 24 | 125 | MAVE12SR | 630 | 630 |
| | 12 | G 1/4 | 7.0 | 39.0 | 15.5 | 4.5 | 19 | 24 | 83 | MAVE12SR1/4 | 630 | 630 |

1) Pressure shown = item deliverable

3) L = light series; 4) S = heavy series

$$\frac{PN \text{ (bar)}}{10} = PN \text{ (MPa)}$$

Information on ordering alternative sealing materials see page 17.

| Order code suffixes | | | |
|---------------------|-----------------------------|------------|---|
| Material | Suffix surface and material | Example | Standard sealing material (no additional suffix needed) |
| Steel | CF | MAVE10SRCF | NBR |
| Stainless Steel | 71 | MAVE10SR71 | VIT |

*Please add the **suffixes** below according to the material/surface required.