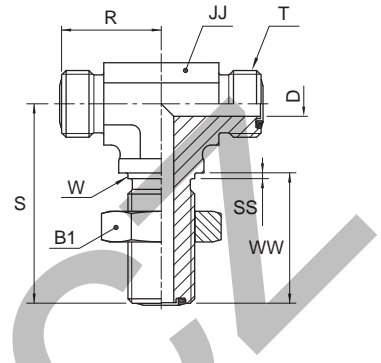


WJLO Bulkhead branch tee

O-Lok® ORFS tube ends



Tube O.D.		Thread	B1	D	JJ*	R	S	SS	W	WW	Weight (steel)	O-Lok® Steel	PN (bar)
mm	in.	UN/UNF-2A T	mm	mm	mm	mm	mm	mm	mm	mm	g/1 piece		
6	1/4	9/16-18	20.6	4.5	14	23	47	2	14	32	100	4 WJLO-WLNL-S	630
8, 10	5/16, 3/8	11/16-16	25.4	6.5	19	26	52	2	18	34	178	6 WJLO-WLNL-S	630
12	1/2	13/16-16	28.6	9.5	19	29	55	2	21	37	270	8 WJLO-WLNL-S	630
14, 15, 16	5/8	1-14	33.3	12.5	27	35	63	2	25	41	370	10 WJLO-WLNL-S	420
18, 20	3/4	1 3/16-12	38.0	15.5	30	39	67	2	30	42	520	12 WJLO-WLNL-S	420
22, 25	1	1 7/16-12	44.5	20.5	36	42	71	2	37	42	680	16 WJLO-WLNL-S	420

Product delivered with NBR TRAP seal. Replacement of TRAP seal is with a standard NBR O-ring – see page J73-J74.

Part numbers shown are part of our current manufacturing programme.

Imperial and metric parts may vary in hexagon dimensions.

For the version without the locknut remove “WLNL” (e.g. 16 WJLO)

$$\frac{PN \text{ (bar)}}{10} = PN \text{ (MPa)}$$

Do not create drawings from these dimensions, they are subject to change and ISO manufacturing allowances.

*JJ may vary in stainless steel

Maximum bulkhead wallthickness

Size	Tube O.D.		Straight bulkhead union	Shape bulkhead union
	inch	metric	Max. thickness mm	Max. thickness mm
4	1/4	6	13.5	13.5
6	3/8	10	13.5	13.5
8	1/2	12	13.5	13.5
10	5/8	14-16	13.2	13.2
12	3/4	18-20	12.7	12.7
16	1	22-25	13.0	13.0
20	1 1/4	28-32	13.0	13.0
24	1 1/2	35-38	13.0	13.0