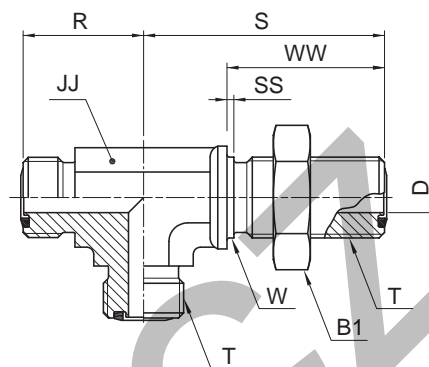


WJJLO Bulkhead run tee

O-Lok® ORFS tube ends
SAE 520958 ISO 8434-3 BHRT



Tube O.D.		Thread UN/UNF-2A T	B1 mm	D mm	JJ* mm	R mm	S mm	SS mm	W mm	WW mm	Weight (steel) g/1 piece	O-Lok® Steel	PN (bar)
mm	in.												
6	1/4	9/16-18	20.6	4.5	14	23	46	2	14	32	99	4 WJJLO-WLNL-S	630
8, 10	5/16, 3/8	11/16-16	25.4	6.5	19	26	52	2	17	34	178	6 WJJLO-WLNL-S	630
12	1/2	13/16-16	28.6	9.5	19	29	55	2	21	37	270	8 WJJLO-WLNL-S	630
14, 15, 16	5/8	1-14	33.3	12.5	27	35	63	2	25	41	368	10 WJJLO-WLNL-S	420
18, 20	3/4	1 3/16-12	38.0	15.5	30	39	67	2	30	42	516	12 WJJLO-WLNL-S	420
22, 25	1	1 7/16-12	44.5	20.5	36	42	71	2	37	42	678	16 WJJLO-WLNL-S	420
28, 30, 32	1 1/4	1 11/16-12	50.4	26.0	41	46	71	2	43	42	980	20 WJJLO-WLNL-S	350
35, 38	1 1/2	2-12	60.3	32.0	48	50	80	2	51	42	1900	24 WJJLO-WLNL-S	280

Product delivered with NBR TRAP seal. Replacement of TRAP seal is with a standard NBR O-ring – see page J73-J74.

Part numbers shown are part of our current manufacturing programme.

Imperial and metric parts may vary in hexagon dimensions.

For the version without the locknut remove “WLNL” (e.g. 16 WJJLO)

$$\frac{\text{PN (bar)}}{10} = \text{PN (MPa)}$$

Do not create drawings from these dimensions, they are subject to change and ISO manufacturing allowances.
*JJ may vary in stainless steel

Maximum bulkhead wallthickness

Size	Tube O.D.		Straight bulkhead union Max. thickness mm	Shape bulkhead union Max. thickness mm
	inch	metric		
4	1/4	6	13.5	13.5
6	3/8	10	13.5	13.5
8	1/2	12	13.5	13.5
10	5/8	14-16	13.2	13.2
12	3/4	18-20	12.7	12.7
16	1	22-25	13.0	13.0
20	1 1/4	28-32	13.0	13.0
24	1 1/2	35-38	13.0	13.0