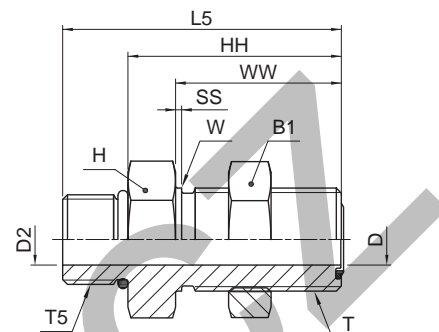


## WF5OLO Bulkhead male connector

O-Lok® ORFS tube end / Male UN/UNF – O-ring (ISO 11926)



| Tube O.D.  |           | Thread UN/UNF-2A | Thread UN/UNF-2A | B1 | D    | D2   | H  | HH | L5 | SS | W  | WW | Weight (steel) | O-Lok® Steel            | PN (bar) |
|------------|-----------|------------------|------------------|----|------|------|----|----|----|----|----|----|----------------|-------------------------|----------|
| mm         | in.       | T                | T5               | mm | mm   | mm   | mm | mm | mm | mm | mm | mm | g/1 piece      |                         |          |
| 6          | 1/4       | 9/16-18          | 7/16-20          | 21 | 4.5  | 4.5  | 21 | 43 | 54 | 2  | 14 | 32 | 75             | <b>4 WF5OLO-WLNL-S</b>  | 630      |
| 8, 10      | 5/16, 3/8 | 11/16-16         | 9/16-18          | 25 | 6.5  | 6.5  | 25 | 47 | 59 | 2  | 18 | 34 | 112            | <b>6 WF5OLO-WLNL-S</b>  | 630      |
| 12         | 1/2       | 13/16-16         | 3/4-16           | 29 | 9.5  | 9.5  | 29 | 52 | 66 | 2  | 21 | 37 | 147            | <b>8 WF5OLO-WLNL-S</b>  | 630      |
| 14, 15, 16 | 5/8       | 1-14             | 7/8-14           | 33 | 12.5 | 12.5 | 33 | 52 | 68 | 2  | 25 | 41 | 295            | <b>10 WF5OLO-WLNL-S</b> | 420      |
| 18, 20     | 3/4       | 1 3/16-12        | 1 1/16-12        | 38 | 15.5 | 15.5 | 38 | 55 | 73 | 2  | 30 | 42 | 330            | <b>12 WF5OLO-WLNL-S</b> | 420      |

Product delivered with NBR TRAP seal. Replacement of TRAP seal is with a standard NBR O-ring – see page J73-J74.

Part numbers shown are part of our current manufacturing programme.

Imperial and metric parts may vary in hexagon dimensions.

For the version without the locknut remove "WLNL" (e.g. 12 WF5OLO)

$$\frac{\text{PN (bar)}}{10} = \text{PN (MPa)}$$

Do not create drawings from these dimensions, they are subject to change and ISO manufacturing allowances.

J