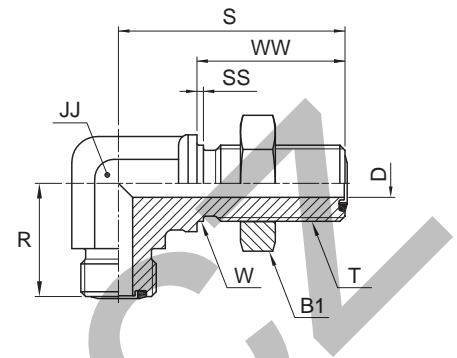


WEMLO Bulkhead union elbow

O-Lok® ORFS tube end/O-Lok® ORFS tube end
SAE520701/SAE 520701 ISO 8434-3 BHE



Tube O.D.		Thread UN/UNF-2A T	B1 mm	D mm	JJ* mm	R mm	S mm	SS mm	W mm	WW mm	Weight (steel) g/1 piece	O-Lok®		PN (bar)	
mm	in.											Steel	Stainless Steel	S	SS
6	1/4	9/16-18	20.6	4.5	14	23	47	2	14	32	78	4 WELO-WLNL-S	4 WELO-WLNL-SS	630	630
8, 10	5/16, 3/8	11/16-16	27.0	6.5	19	26	52	2	17	34	146	6WEMLOWLNMLS	6 WELO-WLNL-SS	630	630
12	1/2	13/16-16	30.0	9.5	19	29	56	3	21	37	252	8WEMLOWLNMLS	8 WELO-WLNL-SS	630	630
14, 15, 16	5/8	1-14	36.0	12.5	27	35	63	3	25	41	287	10WEMLOWLNMLS	10 WELO-WLNL-SS	420	420
18, 20	3/4	1 3/16-12	38.0	15.5	30	39	67	2	30	42	445	12 WELO-WLNL-S	12 WELO-WLNL-SS	420	420
22, 25	1	1 7/16-12	44.5	20.5	36	42	71	2	37	42	639	16 WELO-WLNL-S	16 WELO-WLNL-SS	420	420
28, 30, 32	1 1/4	1 11/16-12	50.4	26.0	41	46	75	2	43	42	718	20 WELO-WLNL-S	20 WELO-WLNL-SS	350	280
35, 38	1 1/2	2-12	60.3	32.0	48	50	80	2	51	42	945	24 WELO-WLNL-S	24 WELO-WLNL-SS	280	280

Product delivered with NBR TRAP seal. Replacement of TRAP seal is with a standard NBR O-ring – see page J73-J74.

Part numbers shown are part of our current manufacturing programme.

Imperial and metric parts may vary in hexagon dimensions.

For the version without the locknut remove “WLNL” (e.g. 16WEMLO)

$$\frac{PN \text{ (bar)}}{10} = PN \text{ (MPa)}$$

Do not create drawings from these dimensions, they are subject to change and ISO manufacturing allowances.
*JJ may vary in stainless steel

Maximum bulkhead wallthickness

Size	Tube O.D.		Straight bulkhead union Max. thickness mm	Shape bulkhead union Max. thickness mm
	inch	metric		
4	1/4	6	13.5	13.5
6	3/8	10	13.5	13.5
8	1/2	12	13.5	13.5
10	5/8	14-16	13.2	13.2
12	3/4	18-20	12.7	12.7
16	1	22-25	13.0	13.0
20	1 1/4	28-32	13.0	13.0
24	1 1/2	35-38	13.0	13.0