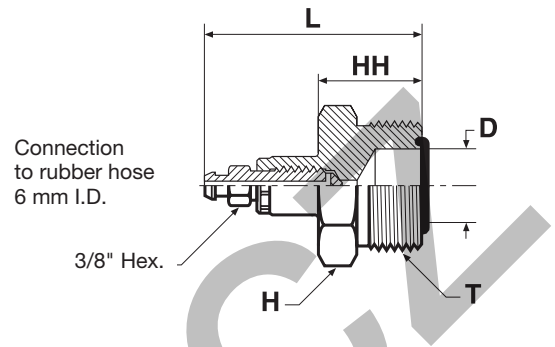


PNLOBA Bleed adaptor

O-Lok® ORFS female end



Tube O.D. mm	Tube O.D. in.	Thread UN/UNF-2A T	D mm	H mm	HH mm	L mm	Weight (steel) g/1 piece	O-Lok® Steel	PN (bar)
6	1/4	9/16-18	4.5	18	20	48	57	4 PNLOBA-S	630
8, 10	3/8	11/16-16	6.5	19	22	50	64	6 PNLOBA-S	630
12	1/2	13/16-16	9.5	22	23	53	93	8 PNLOBA-S	630
14, 15, 16	5/8	1-14	12.5	27	26	56	127	10 PNLOBA-S	420
18, 20	3/4	1 3/16-12	15.5	32	27	58	220	12 PNLOBA-S	420
22, 25	1	1 7/16-12	20.5	38	28	60	266	16 PNLOBA-S	420
28, 30, 32	1 1/4	1 11/16-12	26.0	45	28	61	304	20 PNLOBA-S	420
35, 38	1 1/2	2-12	32.0	54	28	63	422	24 PNLOBA-S	350

Product delivered with NBR TRAP seal. Replacement of TRAP seal is with a standard NBR O-ring – see page J73-J74.

Part numbers shown are part of our current manufacturing programme.

Imperial and metric parts may vary in hexagon dimensions.

$$\frac{\text{PN (bar)}}{10} = \text{PN (MPa)}$$

Do not create drawings from these dimensions, they are subject to change and ISO manufacturing allowances.