

Body Size

1/2"

Multi-Couplings

# MACH-Series

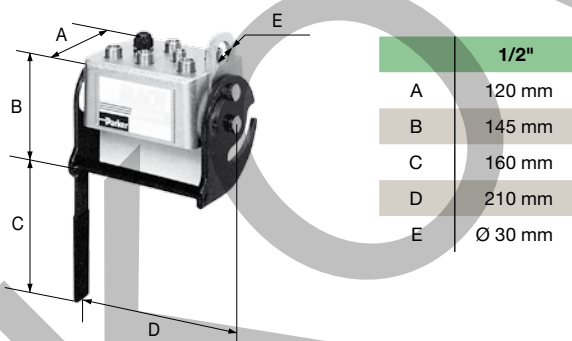


### Technical Performance Data

Body Size inch	Temperatur Range	Maximum operating pressure
1/2"	-30°C up to +110°C	250 bar

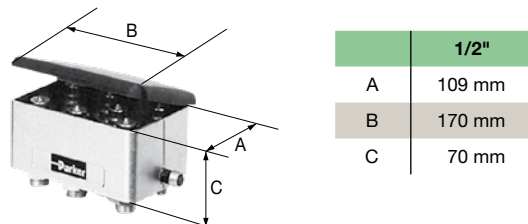
### Top Connector (Coupling Plate)

This top connector unit includes the top casting and automatic protective cover, 4 to 7 female quick couplings and a complete locking system. In the most common version with 7 lines, the top connector is also equipped with a 6 line male electrical connector as a standard feature.



### Base Connector (Plug Plate)

This base connector unit includes the base casting and automatic protective cover, 4 to 7 male quick couplings and the positioning pins. Also included are an adaptor and a plastic hose to drain oil. In the most common version with 7 lines, the base connector is also equipped with a 6 line male electrical connector as a standard feature.



### Technical Description

The couplings meet the requirements of ISO 7241-1 Series A. Possible to connect 4, 5, 6 or 7 hydraulic lines simultaneously. No coupling misconnection or accidental disconnection. Using a standard interface will still allow end users to connect their standard quick coupling equipped implements. In the version with seven lines (MACH 7), the base connector is equipped with an electrical connector as standard feature, which is an option on the MACH 4, 5 and 6.

### Advantages

Individual ball locking system and central cam locking mechanism: a simple movement enables to connect all the hydraulic lines. Three part poppet style valving with a molded shaped seal to prevent seal washout at high flow rates. Possible to connect with two lines under 200 bar, if other lines are not under pressure. Easy and fast connection and disconnection of implements or tooling.

### Applications

- Agricultural (front loaders, hedge cutters,...)
- Road service vehicles (road systems lorries, road sweepers, snowploughs,...)
- Industrial Applications

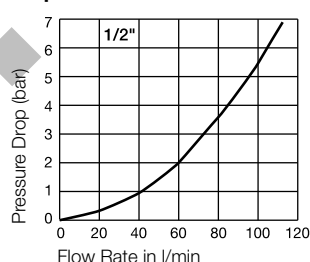
### Working Pressure

max. 250 bar

### Working Temperature

-30°C up to +110°C (NBR) depending on the medium.

### Flow Capacity with Oil with Viscosity of 43cSt at 38°C as per ISO 7241/2-2000

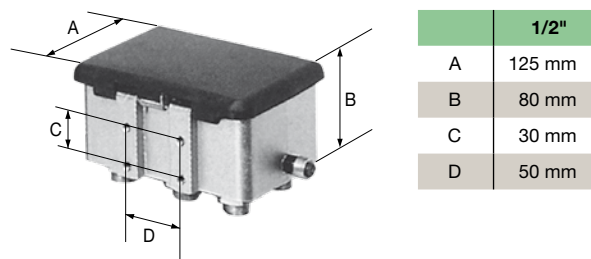


### Material

Coupling-/Plug Plates	Steel
Support Plate	Steel
Protective Cap	Thermoplastic
Couplings and Plugs	Steel
Seals	NBR
Locking Mechanism	Steel
Connector Castings	Aluminium


### Installation

Base unit: Mounted with 4 screws M 8 x 1,25 mm



## Coupling Plate


## MACH-Series



Body Size	Number of Hydraulic Lines	Number of Threads DIN2353 15L (M22x1,5)	Number of Threads DIN2353 12L (M18x1,5)	Electrical Connector	Part Number
1/2"	4	4	0	without	MACH4/715LT
1/2"	4	4	0	with	MACH4/715LTE
1/2"	5	5	0	without	MACH5/715LT
1/2"	5	5	0	with	MACH5/715LTE
1/2"	6	6	0	without	MACH6/715LT
1/2"	6	6	0	with	MACH6/715LTE
1/2"	7	6	1	with	MACH7T


## Plug Plate

## MACH-Series



Body Size	Number of Hydraulic Lines	Number of Threads DIN2353 15L (M22x1,5)	Number of Threads DIN2353 12L (M18x1,5)	Electrical Connector	Part Number
1/2"	4	4	0	without	MACH4/715LB
1/2"	4	4	0	with	MACH4/715LBE
1/2"	5	5	0	without	MACH5/715LB
1/2"	5	5	0	with	MACH5/715LBE
1/2"	6	6	0	without	MACH6/715LB
1/2"	6	6	0	with	MACH6/715LBE
1/2"	7	6	1	with	MACH7B

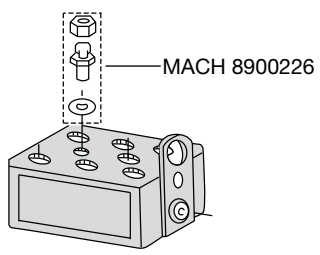

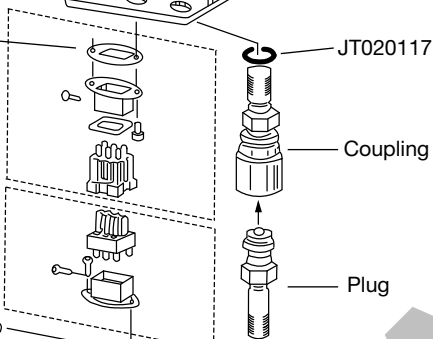
## Oil Drain Kit



Description	Part Number
This kit includes the removable tank to contain oil spillage and a holding fixture.	MACH A

Spare Parts

MACH-Series

	Description	End Configuration	Part Number
 <p>MACH 8900226</p>	Electrical socket		MACH 8900214
	Washer		MACH 8900227
	Grommet		MACH 8900226
	Electrical plug		MACH 8900213
	Snap ring		MACH7980035
	Counter plate		MACHF08767030
	Cover		MACH5400303
 <p>MACH 7980035</p> <p>MACHF08767030</p>	Adaptor outside seal		JT020117N0552
 <p>MACH 8900227</p> <p>MACH 8900214</p> <p>MACH 8900213</p> <p>MACH 5400303</p>	Coupling	DIN 2353-15L	3V54D6X5MCH
	Plug	DIN 2353-15L	4V14E6X5MCHA
	Coupling	DIN 2353-12L	3V54D6X4MCH
	Plug	DIN 2353-12L	4V14E6X4MCHA

KOLVAZ.CZ



Body Size

1/2"

Multi-Couplings

# MACH 2-Series



### Technical Description

The couplings meet requirements of ISO 7241-1 Series A. Possibility to connect 2 hydraulic lines simultaneously. No coupling misconnection or accidental disconnection. Possibility of connecting under pressure up to 250 bar in one hydraulic line only.

### Advantages

Central came locking system. Poppet style valving with a molded shaped seal to prevent seal washout at high flow rates.

### Applications

- Agricultural (front loaders, hedge cutters,...)
- Road service vehicles (road systems lorries, road sweepers, snowploughs,...)
- Industrial Applications

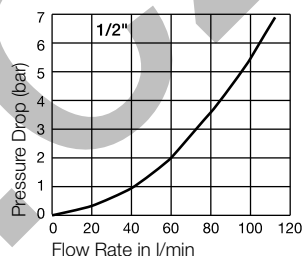
### Working Pressure

max. 250 bar

### Working Temperature

-30°C up to +110°C (NBR) depending on the medium.

### Flow Capacity with Oil with Viscosity of 43cSt at 38°C as per ISO 7241/2-2000



### Technical Performance Data

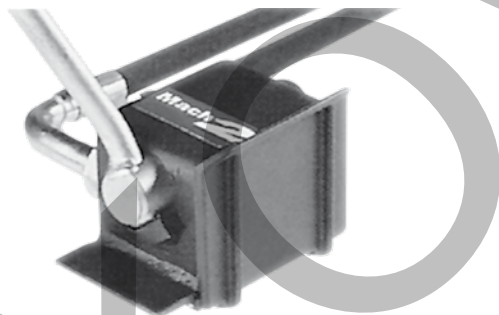
Body Size inch	Temperatur Range	Maximum operating pressure
1/2"	-30°C up to +110°C	250 bar

### Material

Protective Cap	Thermoplastic
Quick Connect Couplings/-Plugs	Steel
Seals	NBR
Locking Mechanism	Steel
Casting Boxes	Steel

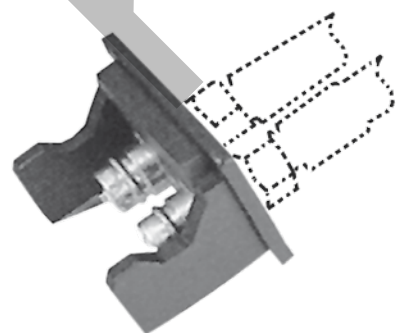
### Connecting box (Coupling Plate)

Complete unit including the base connector unit, its dust cover, a lever acting as a central locking device and 2 female couplings.



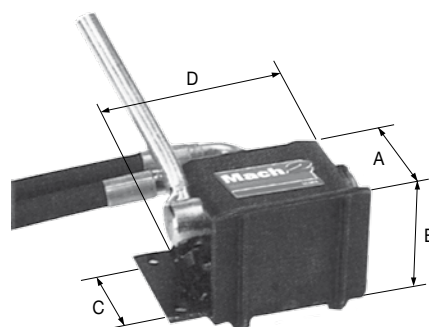
### Plug Plate

Complete unit including the connecting plug and 2 male tips, which meet the requirements of ISO 7241-1-A.



### Installation

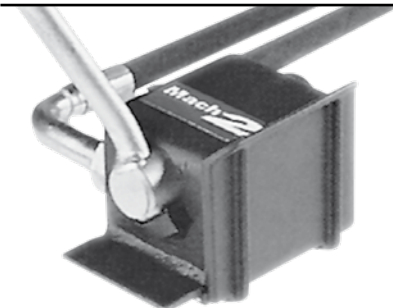
Mechanical attachment: 2 mounting holes  $\varnothing$  8,5 mm



	1/2"
A	100 mm
B	80 mm
C	55 mm
D	125 mm

## Coupling Plate

## MACH 2-Series

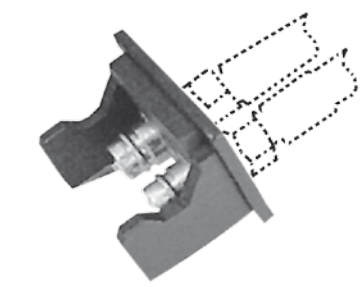


End Configuration	Coupling (2 pcs.)	Top Casting (1 pc.)	Weight gr.	Part Number
M 22 x 1,5 - DIN2353-15L	1/2"	1/2"	2723	MACH2-IA-B

Other types of MACH 2 with non-spill connections are also available on request.  
Please consult us for further information.

## Plug Plate

## MACH 2-Series



End Configuration	Coupling (2 pcs.)	Top Casting (1 pc.)	Weight gr.	Part Number
M 22 x 1,5 - DIN2353-15L	1/2"	1/2"	1203	MACH2-IA-P

## Spare Parts

Description	Part Number
Coupling seal	JT020117N0552
Coupling	LV54D6X5MLXC
Plug	LV14E6X5MLX