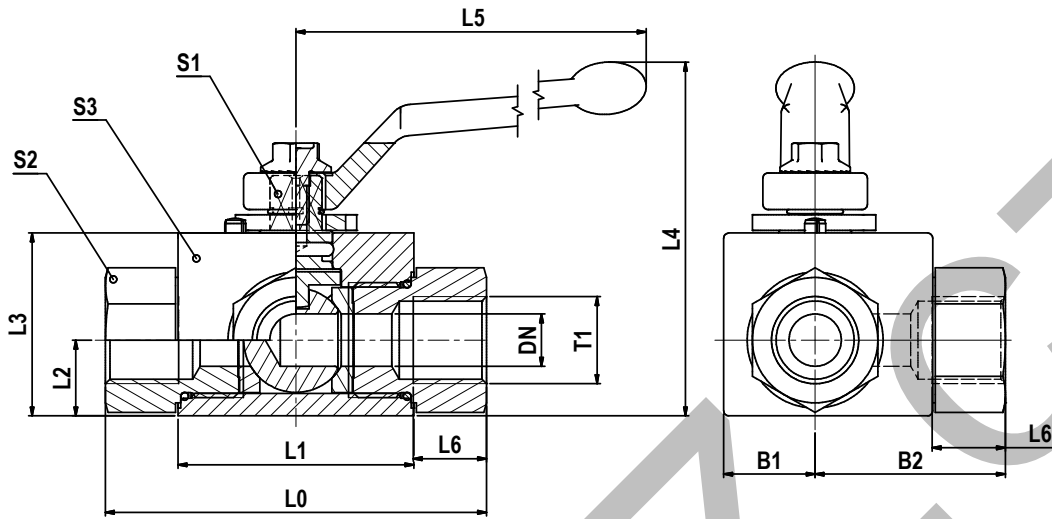
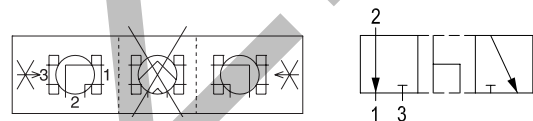


### KH 3-way compact BSPP ball valve steel

Female BSPP thread (ISO 1179-1)



By default 3-way ball valves are manufactured as L-Bore version. Alternative design on request. Pressure inlet only from center port (connector 2).



T1	DN	L0	L1	L2	L3	L4	L5	L6	B1	B2	S1	S2	S3	Weight g/1 piece	Order code	PN (bar)
G 1/8	5	69	36	14.5	30	59.5	76	12	12.0	34.5	7	19	30	370	<b>KH3/2-1/8CFX</b>	500
G 1/4	6	69	36	14.5	30	59.5	76	12	12.0	34.5	7	19	30	340	<b>KH3/2-1/4CFX</b>	500
G 3/8	10	73	45	14.5	35	67.5	100	14	17.5	36.5	8	24	40	570	<b>KH3/2-3/8CFX</b>	500
G 1/2	13	82	51	22.0	45	98.0	113	15	19.5	41.0	10	30	45	940	<b>KH3/2-1/2CFX</b>	500
G 5/8	16	88	50	25.0	50	103.0	113	18	25.0	44.0	10	36	50	1240	<b>KH3/2-5/8CFX</b>	400
G 3/4	20	93	60	29.0	60	125.0	171	18	23.5	48.0	14	41	55	1720	<b>KH3/2-3/4CFX</b>	400
G 1	25	115	70	31.0	65	130.0	171	20	30.0	57.5	14	50	65	2650	<b>KH3/2-1CFX</b>	400
G 1 1/4	32/25	134	70	31.0	65	130.0	171	22	30.0	67.0	14	50	65	2710	<b>KH3/2-11/4DN25CFX</b>	400
G 1 1/2	40/25	139	70	31.0	65	130.0	171	24	30.0	69.5	14	55	65	2910	<b>KH3/2-11/2DN25CFX</b>	400

$$\frac{PN \text{ (bar)}}{10} = PN \text{ (MPa)}$$

Order code suffixes			
Material	Suffix surface and material	Example	Standard sealing material (no additional suffix needed)
Steel	CF	KH3/2-1/8CFX	POM / NBR