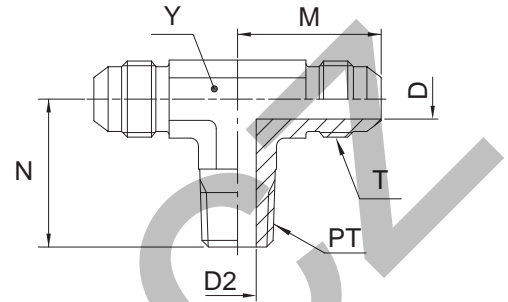


SMTX Male stud branch tee

Triple-Lok® 37° Flare ends / Male NPTF* thread (SAE 476)

SAE 070425 MS51512

*Stainless Steel = NPT to prevent galling



| Tube O.D. | | Thread NPT/NPTF PT | Thread UN/UNF-2A T | D mm | D2 mm | M mm | N mm | Y mm | Weight (steel) g/1 piece | Triple-Lok® Steel | Triple-Lok® Stainless Steel | Triple-Lok® Brass | PN (bar) | |
|------------|-------|--------------------|--------------------|------|-------|------|------|------|--------------------------|--------------------|-----------------------------|--------------------|----------|-----|
| mm | in. | | | | | | | | | | | | S | SS |
| 6 | 3/16 | 1/8-27 | 3/8-24 | 3.0 | 4.7 | 21 | 18 | 11.0 | 25 | 3 STX-S | 3 STX-SS | 3 STX-B | 420 | 350 |
| | 1/4 | 1/8-27 | 7/16-20 | 4.4 | 4.7 | 23 | 20 | 11.0 | 31 | 4 STX-S | 4 STX-SS | 4 STX-B | 420 | 350 |
| 6 | 1/4 | 1/4-18 | 7/16-20 | 4.4 | 7.0 | 27 | 28 | 14.0 | 49 | 4-4-4 STX-S | 4-4-4 STX-SS | 4-4-4 STX-B | 420 | 350 |
| | 5/16 | 1/8-27 | 1/2-20 | 6.0 | 4.7 | 25 | 21 | 14.0 | 37 | 5 STX-S | 5 STX-SS | 5 STX-B | 420 | 350 |
| 10 | 3/8 | 1/4-18 | 9/16-18 | 7.5 | 7.0 | 27 | 28 | 14.0 | 57 | 6 STX-S | 6 STX-SS | 6 STX-B | 420 | 350 |
| | 3/8 | 3/8-18 | 9/16-18 | 7.5 | 10.3 | 29 | 31 | 19.0 | 77 | 6-6-6 STX-S | 6-6-6 STX-SS | 6-6-6 STX-B | 420 | 350 |
| 12 | 1/2 | 3/8-18 | 3/4-16 | 9.9 | 10.3 | 32 | 31 | 19.0 | 113 | 8 STX-S | 8 STX-SS | 8 STX-B | 420 | 350 |
| | 1/2 | 1/2-14 | 3/4-16 | 9.9 | 13.5 | 34 | 37 | 22.0 | 164 | 8-8-8 STX-S | 8-8-8 STX-SS | 8-8-8 STX-B | 420 | 350 |
| 14, 15, 16 | 5/8 | 1/2-14 | 7/8-14 | 12.3 | 13.5 | 37 | 37 | 22.0 | 173 | 10 STX-S | 10 STX-SS | 10 STX-B | 350 | 350 |
| | 3/4 | 3/4-14 | 1 1/16-12 | 18.0 | 18.3 | 42 | 40 | 27.0 | 272 | 12 STX-S | 12 STX-SS | 12 STX-B | 280 | 280 |
| 22 | 7/8 | 3/4-14 | 1 3/16-12 | 18.3 | 18.3 | 46 | 43 | 33.3 | 323 | 14 STX-S | | | 280 | — |
| 25 | 1 | 1-11.5 | 1 5/16-12 | 21.4 | 23.8 | 46 | 50 | 33.3 | 413 | 16 STX-S | 16 STX-SS | 16 STX-B | 210 | 210 |
| 28, 30, 32 | 1 1/4 | 1 1/4-11.5 | 1 5/8-12 | 27.4 | 31.8 | 52 | 60 | 41.0 | 681 | 20 STX-S | 20 STX-SS | 20 STX-B | 170 | 170 |
| | 2 | 1 1/2-11.5 | 1 7/8-12 | 33.3 | 38.0 | 59 | 67 | 47.6 | 905 | 24 STX-S | 24 STX-SS | 24 STX-B | 170 | 170 |

Order codes shown are part of our current manufacturing programme.

Imperial and metric parts may vary in hexagon dimensions.

$$\frac{PN \text{ (bar)}}{10} = PN \text{ (MPa)}$$

Pressure ratings – PN shown, apply to Steel and Stainless Steel versions of the product.

For Brass parts reduce pressures by 35 %.

Do not create drawings from these dimensions, they are subject to change and ISO manufacturing allowances.