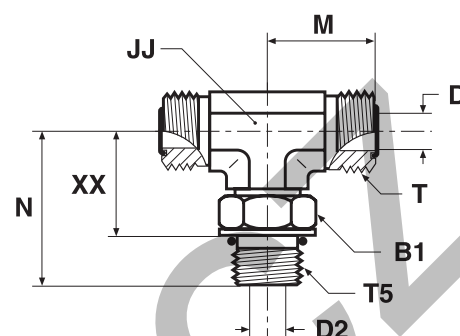


S50MLO Male stud branch tee

O-Lok® ORFS tube end / Adjustable UN/UNF thread O-ring (ISO 11926)
SAE 520429



Tube O.D.		Thread UN/UNF-2A T5	Thread UN/UNF-2A T	B1 mm	D mm	D2 mm	JJ* mm	M mm	N mm	XX mm	Weight (steel) g/1 piece	O-Lok® Steel		O-Lok® Stainless Steel		PN (bar)	
mm	in.											S	SS	S	SS		
6	1/4	7/16-20	9/16-18	16	4.5	4.5	14	22	33	21	67	4 S50LO-S	4 S50LO-SS	420	420		
8, 10	3/8	9/16-18	11/16-16	19	6.5	7.5	19	25	37	24	131	6S50MLOS	6 S50LO-SS	420	420		
12	1/2	3/4-16	13/16-16	24	9.5	10.0	19	28	41	26	187	8 S50LO-S	8 S50LO-SS	420	420		
14, 15, 16	5/8	7/8-14	1-14	27	12.5	12.5	27	33	50	33	279	10 S50LO-S	10 S50LO-SS	420	420		
18, 20	3/4	1 1/16-12	1 3/16-12	35	15.5	15.5	30	37	55	36	441	12 S50LO-S	12 S50LO-SS	420	420		
25	1	1 5/16-12	1 7/16-12	41	20.5	21.5	37	42	60	41	539	16 S50LO-S	16 S50LO-SS	380	380		
28, 30, 32	1 1/4	1 5/8-12	1 11/16-12	48	26.0	27.5	41	45	62	43	851	20 S50LO-S		280	—		
35, 38	1 1/2	1 7/8-12	2-12	54	32.0	33.5	48	49	66	47	942	24 S50LO-S		280	—		

Product delivered with NBR TRAP seal. Replacement of TRAP seal is with a standard NBR O-ring – see page J73-J74.

Part numbers shown are part of our current manufacturing programme.

Imperial and metric parts may vary in hexagon dimensions.

$$\frac{\text{PN (bar)}}{10} = \text{PN (MPa)}$$

Do not create drawings from these dimensions, they are subject to change and ISO manufacturing allowances.

*JJ may vary in stainless steel.