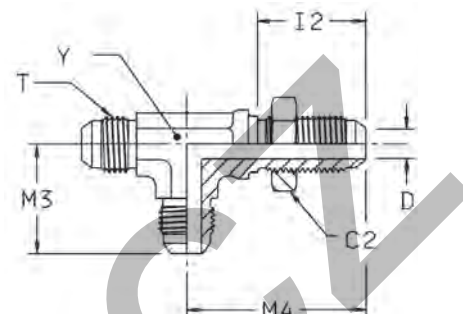


## WJJTX Bulkhead run tee

Triple-Lok® 37° Flare ends  
SAE 070958 MS51516



Tube O.D. mm	Tube O.D. in.	Thread UN/UNF-2A T	C2 mm	D mm	I2 mm	M3 mm	M4 mm	Y mm	Weight (steel) g/1 piece	Triple-Lok® Steel	PN (bar)
6	1/4	7/16-20	17.5	4.4	26	25	40	11.0	58	<b>4 WJJTX-WLN-S</b>	500
10	3/8	9/16-18	20.6	7.5	28	28	46	14.0	75	<b>6 WJJTX-WLN-S</b>	420
12	1/2	3/4-16	25.0	9.9	32	35	54	19.0	158	<b>8 WJJTX-WLN-S</b>	420
14, 15, 16	5/8	7/8-14	28.5	12.0	35	40	61	27.0	309	<b>10 WJJTX-WLN-S</b>	350
18, 20	3/4	1 1/16-12	35.0	15.5	40	45	68	27.0	340	<b>12 WJJTX-WLN-S</b>	350
22, 25	1	1 5/16-12	41.3	21.5	40	49	71	36.5	390	<b>16 WJJTX-WLN-S</b>	280
28, 30, 32	1 1/4	1 5/8-12	47.6	27.5	41	55	79	44.5	450	<b>20 WJJTX-WLN-S</b>	280

Order codes shown are part of our current manufacturing programme.

Imperial and metric parts may vary in hexagon dimensions.

For the version without the locknut remove "WLN" (e.g. 16 WJJTX)

$\frac{\text{PN (bar)}}{10} = \text{PN (MPa)}$

Do not create drawings from these dimensions, they are subject to change and ISO manufacturing allowances.

K

### Maximum bulkhead wallthickness

Size	Tube O.D.		Straight bulkhead union Max. thickness mm	Shape bulkhead union Max. thickness mm
	inch	metric		
4	1/4	6	8.4	5.3
5	5/16	8	8.4	5.3
6	3/8	10	10.7	7.1
8	1/2	12	11.2	8.4
10	5/8	14-16	10.9	8.1
12	3/4	18-20	11.2	8.6
14	7/8		10.4	7.9
16	1	22-25	9.9	7.4
20	1 1/4	28-32	10.2	7.4
24	1 1/2	35-38	7.1	—
32	2		7.1	—