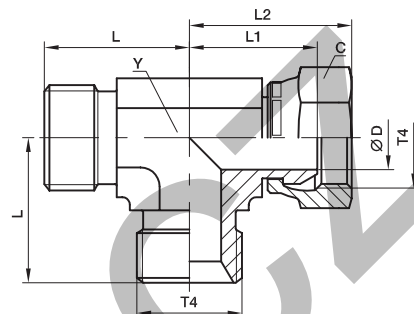


## Adapters

**R6MK4 Swivel nut run tee**

BSPP 60° Cone ends (ISO 8434-6) / BSPP 60° Female swivel end (ISO 8434-6)



Thread BSPP T4	C mm	D mm	L mm	L1 mm	L2 mm	Y mm	Weight (steel) g/1 piece	Adapter Steel	Adapter Stainless Steel	PN (bar)	
										S	SS
1/8-28	14	3.5	17	18	23	11	29	<b>2R6MK4S</b>	<b>2R6MK4SS</b>	350	350
1/4-19	19	4.7	24	25	31	14	77	<b>4R6MK4S</b>	<b>4R6MK4SS</b>	350	350
3/8-19	22	7.9	27	26	33	19	128	<b>6R6MK4S</b>	<b>6R6MK4SS</b>	350	350
1/2-14	27	11.1	32	32	39	22	203	<b>8R6MK4S</b>	<b>8R6MK4SS</b>	200	200
5/8-14	30	14.3	34	30	40	22	274	<b>10R6MK4S</b>	<b>10R6MK4SS</b>	200	200
3/4-14	32	16.7	36	33	42	27	274	<b>12R6MK4S</b>	<b>12R6MK4SS</b>	200	200
1-11	41	22.2	42	38	49	33	456	<b>16R6MK4S</b>	<b>16R6MK4SS</b>	120	120
1 1/4-11	50	28.6	48	48	58	41	801	<b>20R6MK4S</b>	<b>20R6MK4SS</b>	105	105

Order codes shown are part of our current manufacturing programme.

Imperial and metric parts may vary in hexagon dimensions.

$$\frac{\text{PN (bar)}}{10} = \text{PN (MPa)}$$

Do not create drawings from these dimensions, they are subject to change and ISO manufacturing allowances.