

DF2035 Series

Duplex Filters

Max. 600 l/min. 8 bar



Light weight, high capacity

Several media options and high dirt holding capacity – up to three filter elements per reservoir. Aluminium housing offers light weight combined to considerably high capacity. Two different housing options.



Contact Information:

Parker Hannifin
Hydraulic Filter Division Europe

**European Product
Information Centre**
Freephone: 00800 27 27 5374
(from AT, BE, CH, CZ, DE, EE, ES,
FI, FR, IE, IT, PT, SE, SK, UK)
filtrationinfo@parker.com

www.parker.com/hfde

Applications:

- Industrial gear systems
- Diesel engine lubricating systems

Specification

Duplex filter:

One reservoir can be closed for service, vertical installation. Length 2 includes 2 elements/side and length 3 includes 3 elements/side.

Connections:

Square flanges with DN65/PN16 dimensioning. Standard delivery includes blind counter flanges according to DIN 2527.

Maximum operating pressure:

8 bar

Seal material:

Fluoroelastomer

Operating temperature:

-20°C...+100°C. For other temperatures consult Parker Filtration.

Housing material:

Aluminium

Weight:

Length 2: 49.0 kg

Length 3: 62.5 kg

Maximum flow rate:

600 l/min (36 m³/h)

Indicator options:

Visual, electrical or electronic indicator requires an indicator block. For details see indicator options table in product description page and catalogue section 4.

Primary filter:

- Length 2: two filter elements per reservoir
- Length 3: three filter elements per reservoir
- Filtration materials
 - Resin impregnated heavy duty cellulose paper 15µm nominal
 - Glassfibre Microglass III
 - Cleanable metal mesh

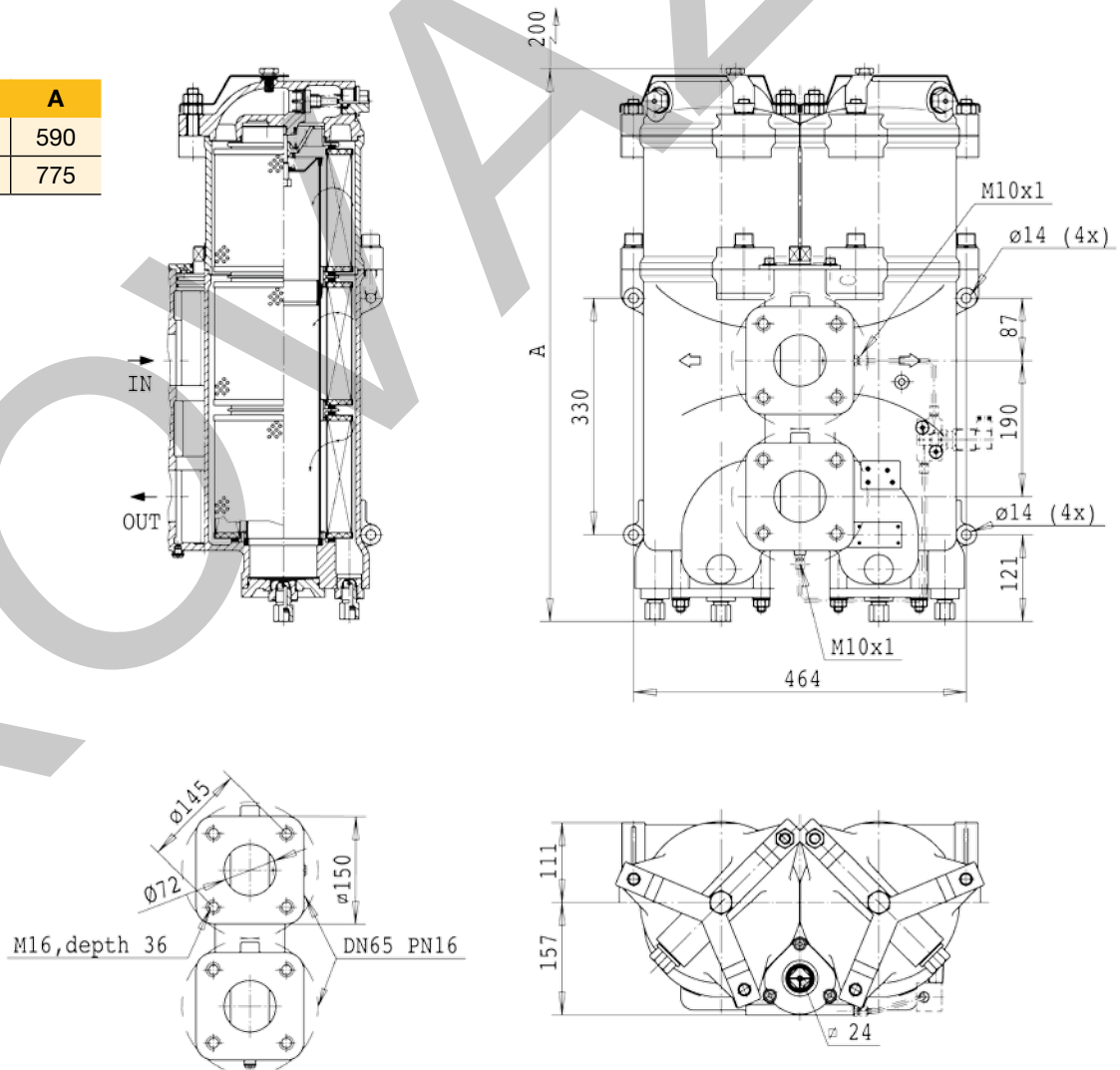
Secondary filter:

- Filtration material cleanable metal mesh
- Filtration degree 60µm

Fluid compatibility:

Suitable for use with regular hydraulic and lubrication oils. For other fluids consult Parker Filtration.

Type	A
Length 2	590
Length 3	775



DF2035 Series

Pressure Drop Curves

$$\Delta p_{\text{total}} = \Delta p_{\text{housing}} + \Delta p_{\text{element}}$$

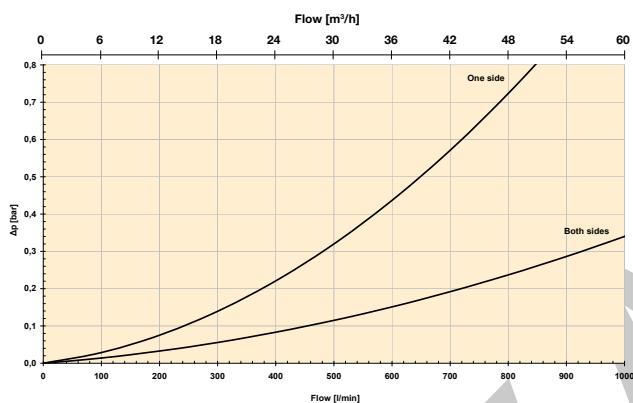
The recommended level of the initial pressure drop for this filter is maximum 0.5 bar.

Δp -curves are measured at 30 cSt.

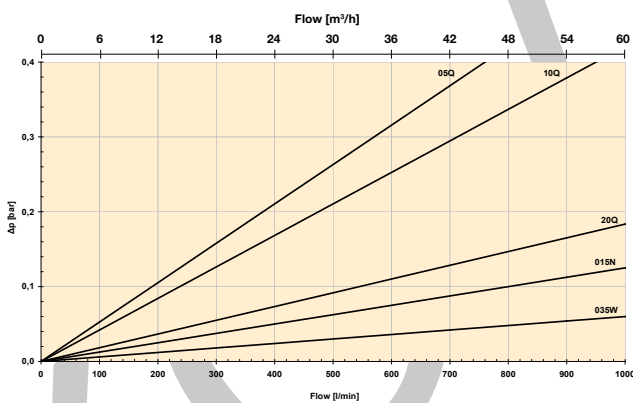
If the medium used has a viscosity different from 30 cSt, pressure drop over the element can be estimated as follows:

$$\Delta p_{\text{total}} = \Delta p_{\text{housing}} + \Delta p_{\text{element}} \times \frac{\text{working viscosity}}{30 \text{ cSt}}$$

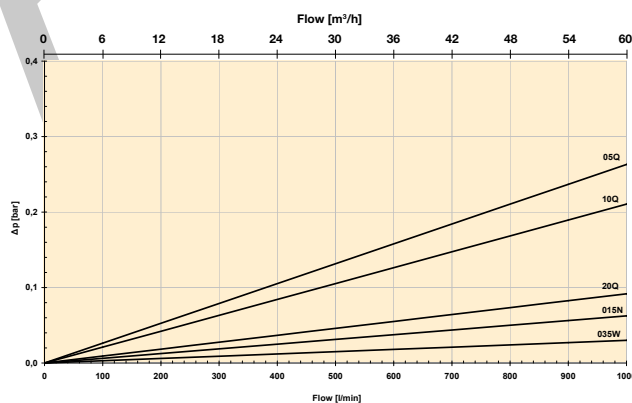
DF2035 housing



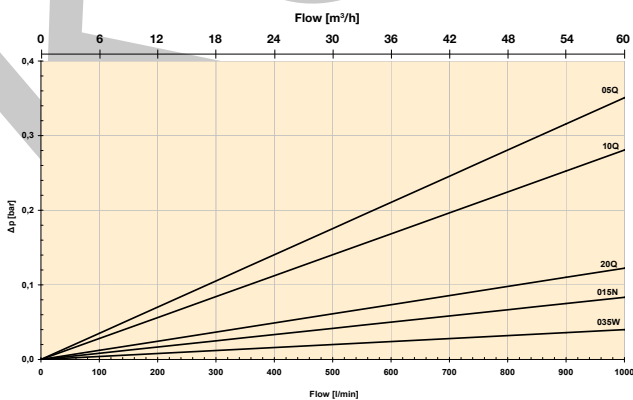
Length 2 element pack (2 pcs)/one side in use



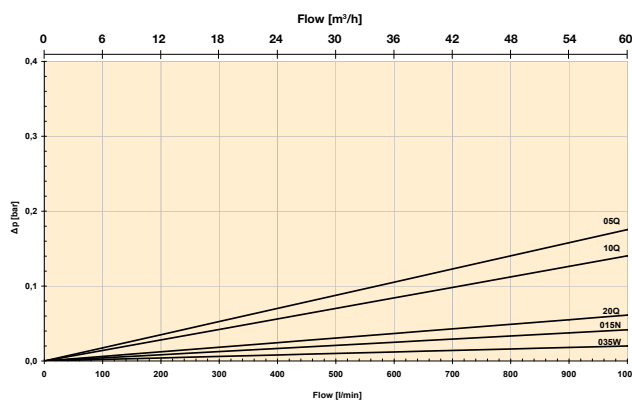
Length 2 element pack (2 + 2 pcs)/both sides in use



Length 3 element pack (3 pcs)/one side in use



Length 3 element pack (3 + 3 pcs)/both sides in use



Product Description for DF2035

Complete Filter:

Table 1

--

Table 2

--

Table 3

--

Table 4

--

Table 5

--

Table 6

--

Table 7

--

Table 8

--

Table 1

FILTER TYPE	
Model	CODE
Duplex filter	DF2035

Table 2

FILTER SIZE	
Length/elements	CODE
2 elements/side	2
3 elements/side	3

Table 3

DEGREE OF FILTRATION	
Element type	CODE
Microglass III	
Glassfibre 5 µm	05Q
Glassfibre 10 µm	10Q
Glassfibre 20 µm	20Q
Other medias	
Cellulose 15 µm (nom)	015N
Cleanable metal mesh 35 µm	035W
Cleanable metal mesh 60 µm	060W

Table 4

SEAL TYPE	
Seal material	CODE
Fluoroelastomer	V

Table 5

INDICATORS	
Options	CODE
No indicator block	N
Indicator port plugged	P
Visual indicator	M3
Electrical indicator	T1
Electronic indicator (PNP/N.O.)	F1
Electronic indicator (NPN/N.O.)	F2

Table 6

BYPASS VALVE	
Bypass/indicator setting	CODE
2.0 bar/1.5 bar	H

Table 7

FILTER CONNECTIONS	
Port size	CODE
Square flange ref. DN65	D65

Table 8

OPTIONS	
Options	CODE
With bypass	1

REPLACEMENT ELEMENTS	
Media code / Seal type	Order code
Glassfibre	Microglass III
05Q / Nitrile	939401Q
10Q / Nitrile	939402Q
20Q / Nitrile	939403Q
Cellulose 15 µm (nom)	
015N / Nitrile	939404
Cleanable metal mesh	
035W / Fluoroelastomer	939405
060W / Fluoroelastomer	939406

SPARE PARTS	
Secondary filter element (60 µm)	CODE
Length 2	939414
Length 3 extension element*	939415
Seal kit	CODE
Seal material	
Fluoroelastomer	916045027

* Fully length 3 requires both 939414 + 939415.

Please note the bolded options reflect standard options with reduced lead-time.