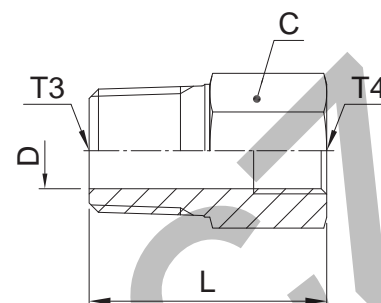


PTR34M Thread reducer

Male BSPT thread (ISO 7) / Female BSPP thread (ISO 1179-1)



Thread BSPT T3	Thread BSPP T4	C mm	D mm	L mm	Weight (steel) g/1 piece	Adapter Steel	Adapter Stainless Steel	PN (bar)	
								S	SS
1/4-19	1/8-28	14	7.0	28	16	1/4X1/8PTR34MS	1/4X1/8PTR34MSS	315	315
3/8-19	1/4-19	19	10.0	33	44	3/8X1/4PTR34MS	3/8X1/4PTR34MSS	315	315
1/2-14	1/4-19	22	11.7	39	71	1/2X1/4PTR34MS	1/2X1/4PTR34MSS	315	315
1/2-14	3/8-19	22	13.5	39	48	1/2X3/8PTR34MS	1/2X3/8PTR34MSS	315	315
3/4-14	1/4-19	27	11.7	39	108	3/4X1/4PTR34MS	3/4X1/4PTR34MSS	280	280
3/4-14	3/8-19	27	18.0	39	127	3/4X3/8PTR34MS	3/4X3/8PTR34MSS	280	280
3/4-14	1/2-14	27	18.0	42	94	3/4X1/2PTR34MS	3/4X1/2PTR34MSS	280	280
1-11	3/8-19	36	24.0	40	185	1X3/8PTR34MS	1X3/8PTR34MSS	210	210
1-11	1/2-14	36	24.0	48	224	1X1/2PTR34MS	1X1/2PTR34MSS	210	210
1-11	3/4-14	36	24.0	49	186	1X3/4PTR34MS	1X3/4PTR34MSS	210	210

Order codes shown are part of our current manufacturing programme.

Imperial and metric parts may vary in hexagon dimensions.

$$\frac{\text{PN (bar)}}{10} = \text{PN (MPa)}$$

Do not create drawings from these dimensions, they are subject to change and ISO manufacturing allowances.