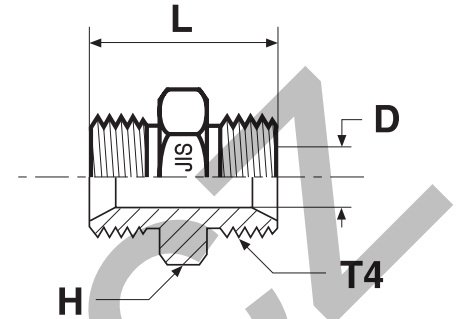


Adapters

**HP4 Union**

JIS BSPP 60° cone end (JIS B8363)

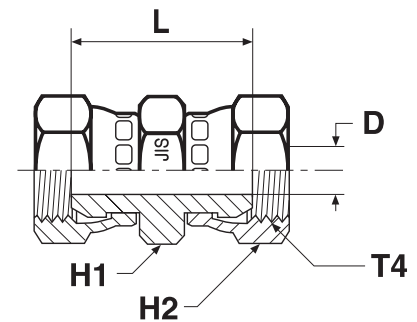


Thread BSPP T4	D mm	H mm	L mm	Weight (steel) g/1 piece	Adapter Steel	Adapter Stainless Steel	PN (bar)	
							S	SS
1/4-19	4.5	19.0	34	40	<b>4HP4S</b>	<b>4HMP4SS</b>	350	350
3/8-19	7.0	22.2	38	91	<b>6HP4S</b>	<b>6HMP4SS</b>	350	350
1/2-14	11.0	27.0	46	159	<b>8HP4S</b>	<b>8HMP4SS</b>	200	200
3/4-14	15.9	36.5	52	186	<b>12HP4S</b>	<b>12HMP4SS</b>	200	200
1-11	21.0	41.3	58	290	<b>16HP4S</b>	<b>16HMP4SS</b>	120	120

Do not create drawings from these dimensions, they are subject to change and ISO manufacturing allowances.

**HP46 Swivel female union**

JIS BSPP 60° Cone swivel female end (JIS B8363)



Thread BSPP T4	D mm	H1 mm	H2 mm	L mm	Weight (steel) g/1 piece	Adapter Steel	PN (bar)
3/8-19	7.0	22.2	22.2	35	49	<b>6HP46S</b>	350
1/2-14	11.0	27.0	27.0	38	77	<b>8HP46S</b>	200
3/4-14	15.9	36.5	36.5	40	114	<b>12HP46S</b>	200
1-11	21.0	41.3	41.3	46	180	<b>16HP46S</b>	120

Order codes shown are part of our current manufacturing programme.

Imperial and metric parts may vary in hexagon dimensions.

$$\frac{PN \text{ (bar)}}{10} = PN \text{ (MPa)}$$

Do not create drawings from these dimensions, they are subject to change and ISO manufacturing allowances.