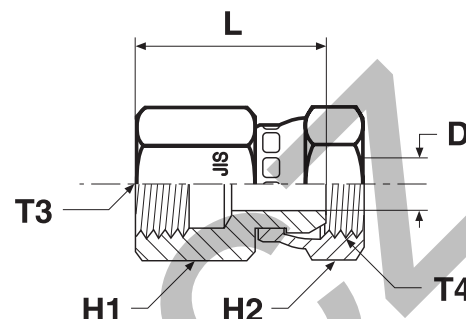


G63P4 Female swivel connector

JIS BSPP 30° Flare swivel female end (JIS B8363) / Female BSPT thread (ISO 7)

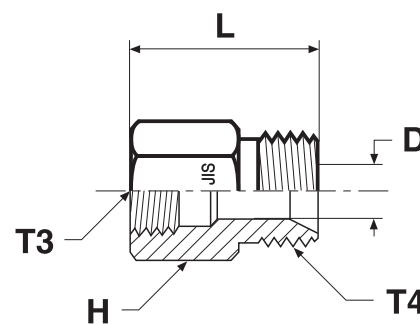


Thread BSPT T3	Thread BSPP T4	D mm	H1 mm	H2 mm	L mm	Weight (steel) g/1 piece	Adapter Steel	PN (bar)
1/4-19	1/4-19	4.5	19.0	19.0	30	36	4G63P4S	315
3/8-19	3/8-19	7.0	22.2	22.2	33	49	6G63P4S	315
1/2-14	1/2-14	11.0	27.0	27.0	36	73	8G63P4S	200
3/4-14	3/4-14	15.9	36.5	36.5	38	163	12G63P4S	160
1-11	1-11	21.0	41.3	41.3	46	195	16G63P4S	120

Do not create drawings from these dimensions, they are subject to change and ISO manufacturing allowances.

G3P4 Female stud connector

JIS BSPP 30° Flare end (JIS B8363) / Female BSPT thread (ISO 7)



Thread BSPT T3	Thread BSPP T4	D mm	H mm	L mm	Weight (steel) g/1 piece	Adapter Steel	PN (bar)
1/4-19	1/4-19	4.5	19.0	31	40	4G3P4S	315
3/8-19	3/8-19	7.0	22.2	34	55	6G3P4S	315
1/2-14	1/2-14	11.0	27.0	40	141	8G3P4S	200
3/4-14	3/4-14	15.9	36.5	44	159	12G3P4S	160
1-11	1-11	21.0	41.3	49	225	16G3P4S	120

Order codes shown are part of our current manufacturing programme.

Imperial and metric parts may vary in hexagon dimensions.

$$\frac{\text{PN (bar)}}{10} = \text{PN (MPa)}$$

Do not create drawings from these dimensions, they are subject to change and ISO manufacturing allowances.