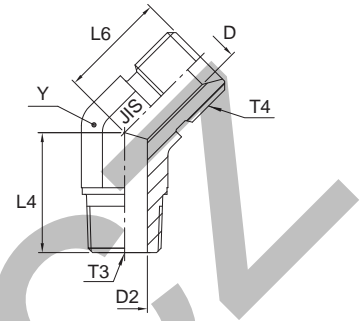


Adapters

V3P4 Male 45° elbow

JIS BSPP 60° Cone end (JIS B8363) / Male BSPT thread (ISO 7)

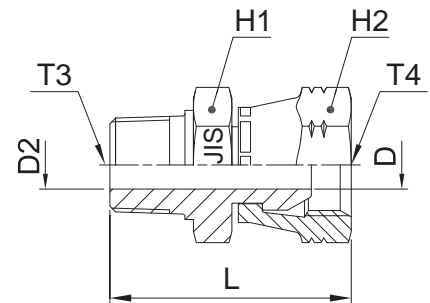


Thread BSPP T4	Thread BSPT T3	D mm	D2 mm	L4 mm	L6 mm	Y mm	Weight (steel) g/1 piece	Adapter Steel	PN (bar)
1/4-19	1/4-19	4.5	4.5	19	21	14.0	36	4V3P4S	350
3/8-19	3/8-19	7.0	7.0	22	23	19.0	65	6V3P4S	350
1/2-14	1/2-14	11.0	11.0	27	27	22.0	122	8V3P4S	200
3/4-14	3/4-14	15.9	15.9	30	30	27.0	159	12V3P4S	200
1-11	1-11	21.0	21.0	35	33	33.3	412	16V3P4S	120

Do not create drawings from these dimensions, they are subject to change and ISO manufacturing allowances.

F63P4 Swivel male stud

JIS BSPP 60° Cone swivel female end (JIS B8363) / Male BSPT thread (ISO 7)



Thread BSPT T3	Thread BSPP T4	D mm	D2 mm	H1 mm	H2 mm	L mm	Weight (steel) g/1 piece	Adapter Steel	Adapter Stainless Steel	PN (bar)	
									S	SS	
1/4-19	1/4-19	4.5	4.5	19.0	19.0	33	41	4F63P4S	4F63MP4SS	315	315
3/8-19	3/8-19	7.0	7.0	22.2	22.2	37	70	6F63P4S	6F63MP4SS	315	315
1/2-14	1/2-14	11.0	11.0	27.0	27.0	42	122	8F63P4S	8F63MP4SS	200	200
3/4-14	3/4-14	15.9	15.9	36.5	36.5	47	254	12F63P4S	12F63MP4SS	160	160
1-11	1-11	21.0	21.0	41.3	41.3	52	367	16F63P4S	16F63MP4SS	120	120

Order codes shown are part of our current manufacturing programme.

Imperial and metric parts may vary in hexagon dimensions.

$$\frac{PN \text{ (bar)}}{10} = PN \text{ (MPa)}$$

Do not create drawings from these dimensions, they are subject to change and ISO manufacturing allowances.