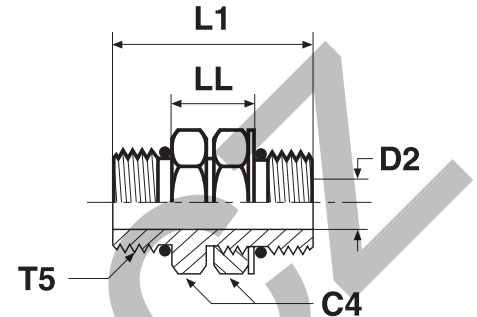


Adapters

**F5OHAO Straight thread union**

Male UN/UNF threads – O-ring (ISO 11926)

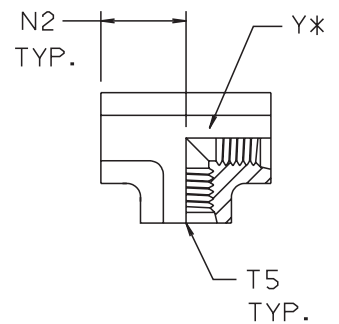


Thread UN/UNF-2A T5	C4 mm	D2 mm	L1 mm	LL mm	Weight (steel) g/1 piece	Adapter Steel	Adapter Stainless Steel		PN (bar)	
							S	SS	S	SS
7/16-20	14.3	5.2	32	13	25	<b>4 F5OHAO-S</b>	<b>4 F5OHAO-SS</b>	350	350	
9/16-18	17.5	7.5	36	14	52	<b>6 F5OHAO-S</b>	<b>6 F5OHAO-SS</b>	350	350	
3/4-16	22.2	10.7	42	18	76	<b>8 F5OHAO-S</b>	<b>8 F5OHAO-SS</b>	350	350	
7/8-14	25.4	12.3	46	19	118	<b>10 F5OHAO-S</b>	<b>10 F5OHAO-SS</b>	310	310	
1 1/16-12	31.8	15.5	54	22	213	<b>12 F5OHAO-S</b>	<b>12 F5OHAO-SS</b>	280	280	
1 5/16-12	38.0	21.5	62	30	235	<b>16 F5OHAO-S</b>	<b>16 F5OHAO-SS</b>	210	210	
1 5/8-12	47.6	27.4	62	30	367	<b>20 F5OHAO-S</b>	<b>20 F5OHAO-SS</b>	170	170	
1 7/8-12	54.0	34.1	62	30	538	<b>24 F5OHAO-S</b>	<b>24 F5OHAO-SS</b>	140	140	

Do not create drawings from these dimensions, they are subject to change and ISO manufacturing allowances.

**G5G5JG5 Female straight thread tee**

Female UN/UNF threads – all 3 ends



Thread UN/UNF-2B T5	N2 mm	Y mm	Weight (steel) g/1 piece	Adapter Steel	PN (bar)
7/16-20	19	19	68	<b>4 G5G5JG5-S</b>	350
9/16-18	22	22	47	<b>6 G5G5JG5-S</b>	350
3/4-16	26	27	228	<b>8 G5G5JG5-S</b>	350
7/8-14	30	27	228	<b>10 G5G5JG5-S</b>	310

Parker Adapter are delivered with NBR elastomeric seals as standard. For more details on other seal materials see page N60.

Order codes shown are part of our current manufacturing programme.

Imperial and metric parts may vary in hexagon dimensions.

$$\frac{PN \text{ (bar)}}{10} = PN \text{ (MPa)}$$

Do not create drawings from these dimensions, they are subject to change and ISO manufacturing allowances.